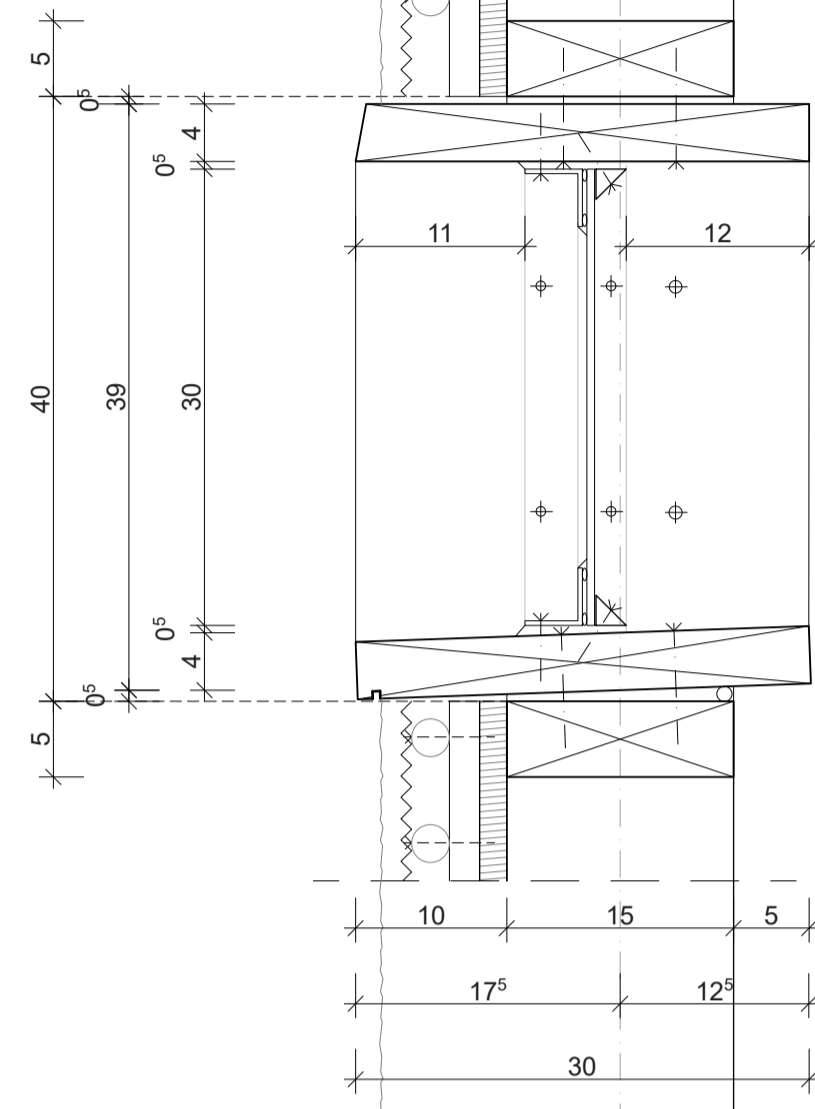
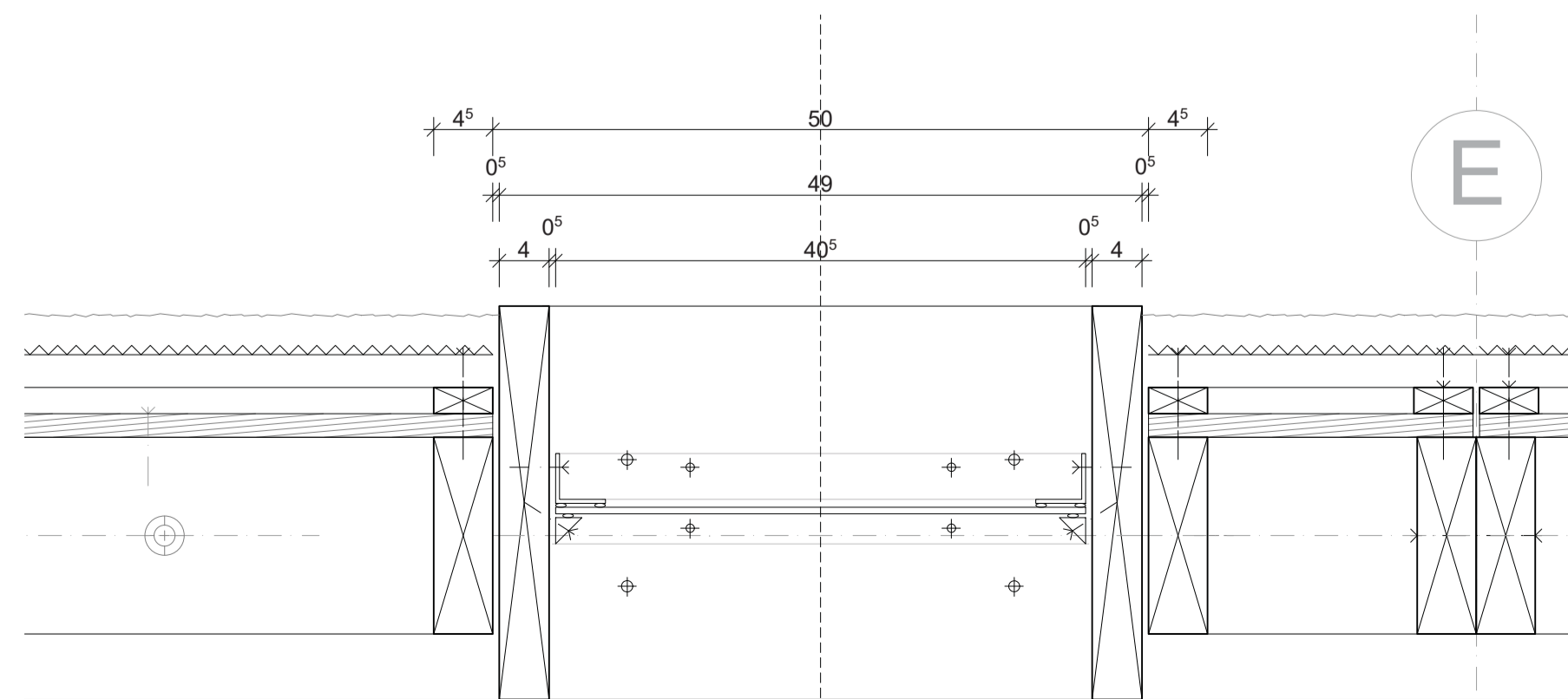
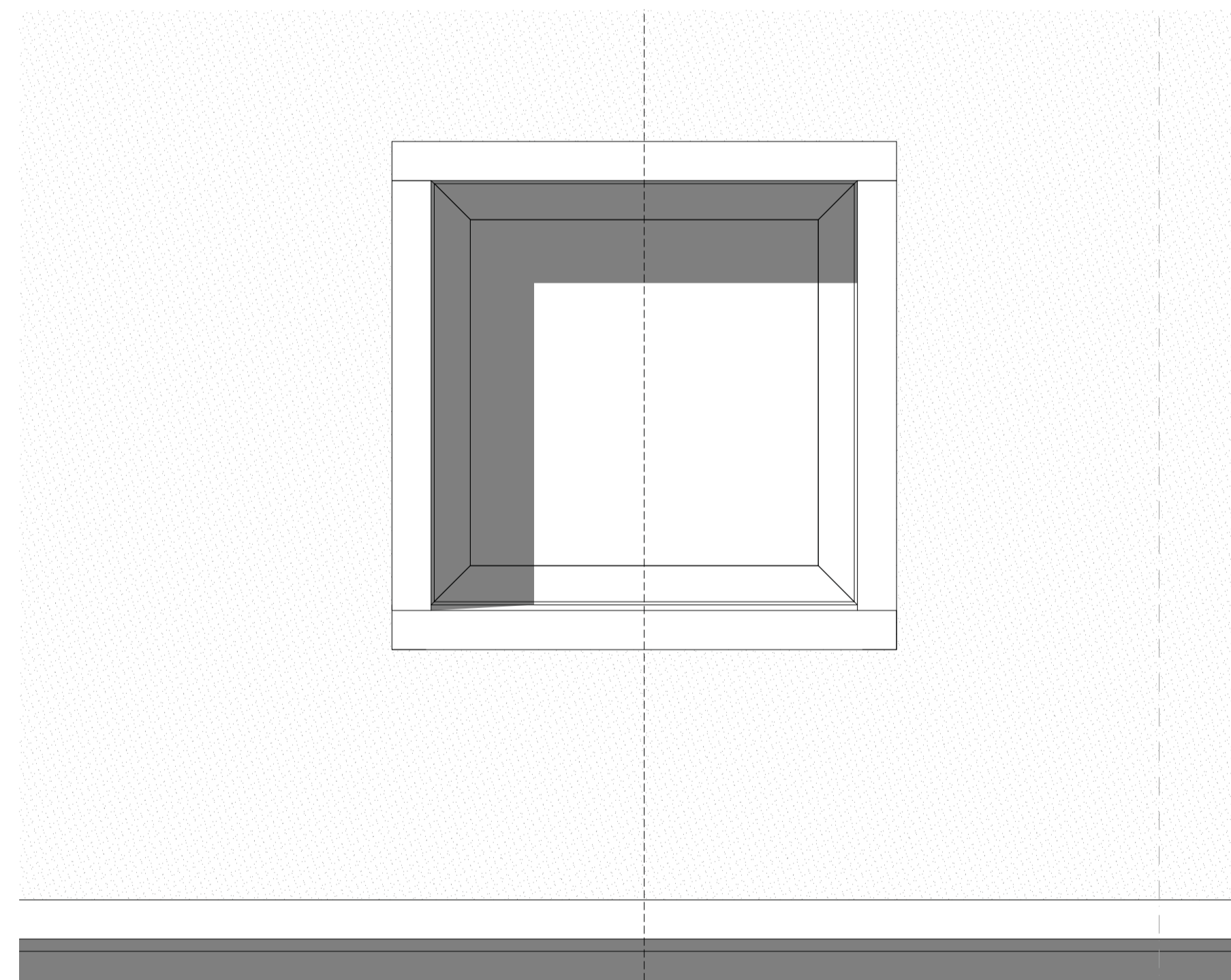
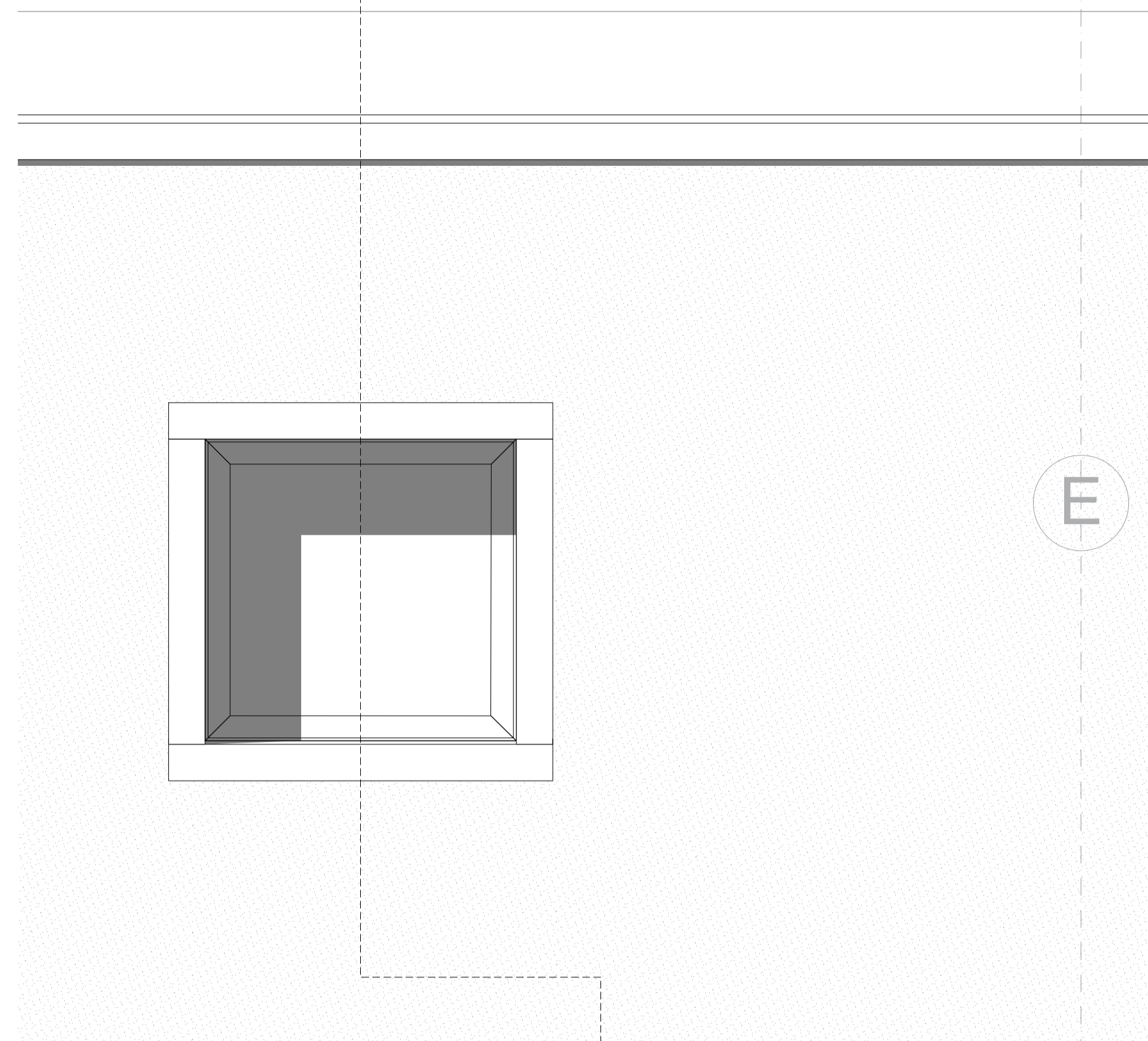
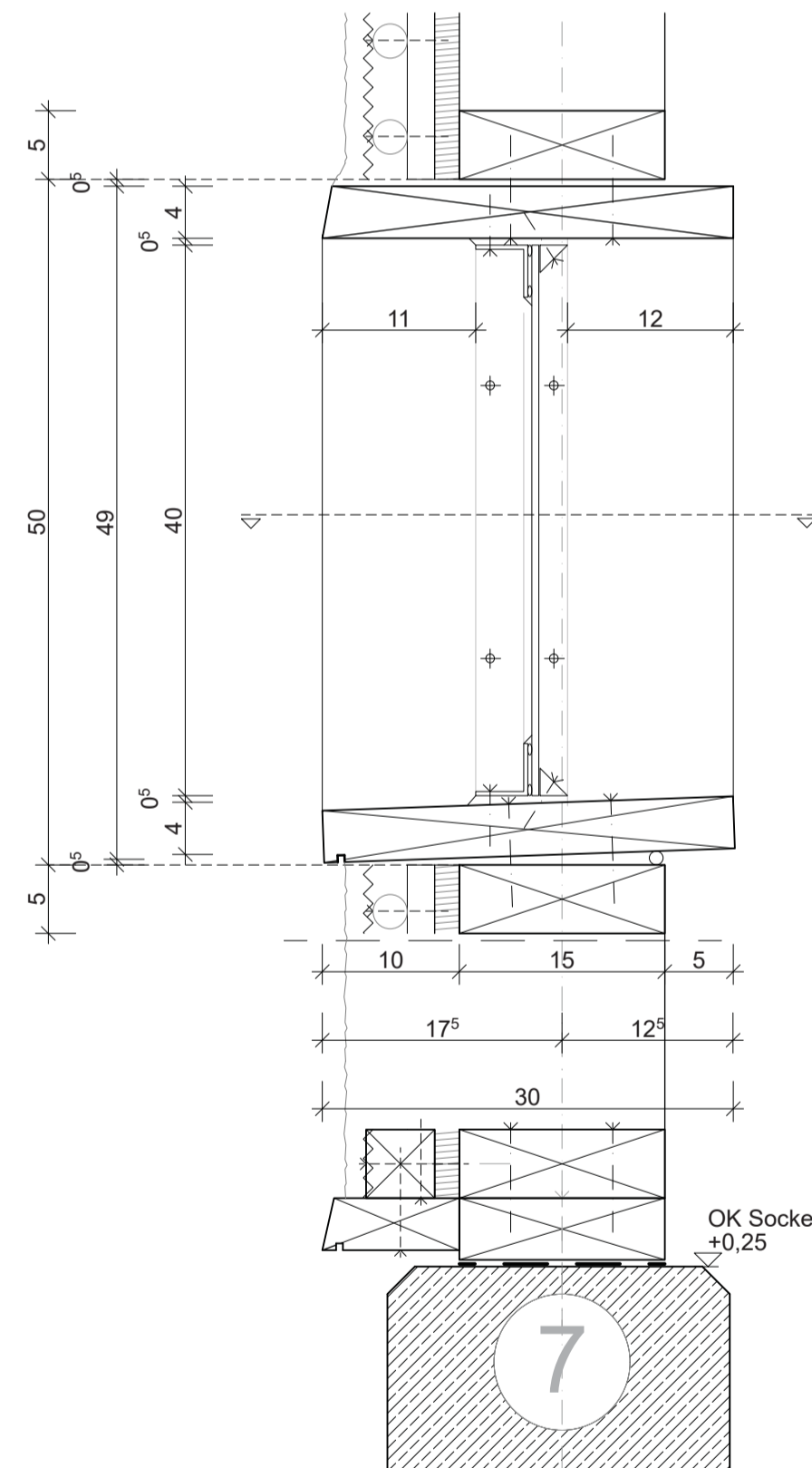


All measurements are to be checked on sight
For construction-plan of window check plan no. 262



All measurements are to be checked on sight
For construction-plan of window check plan no. 261

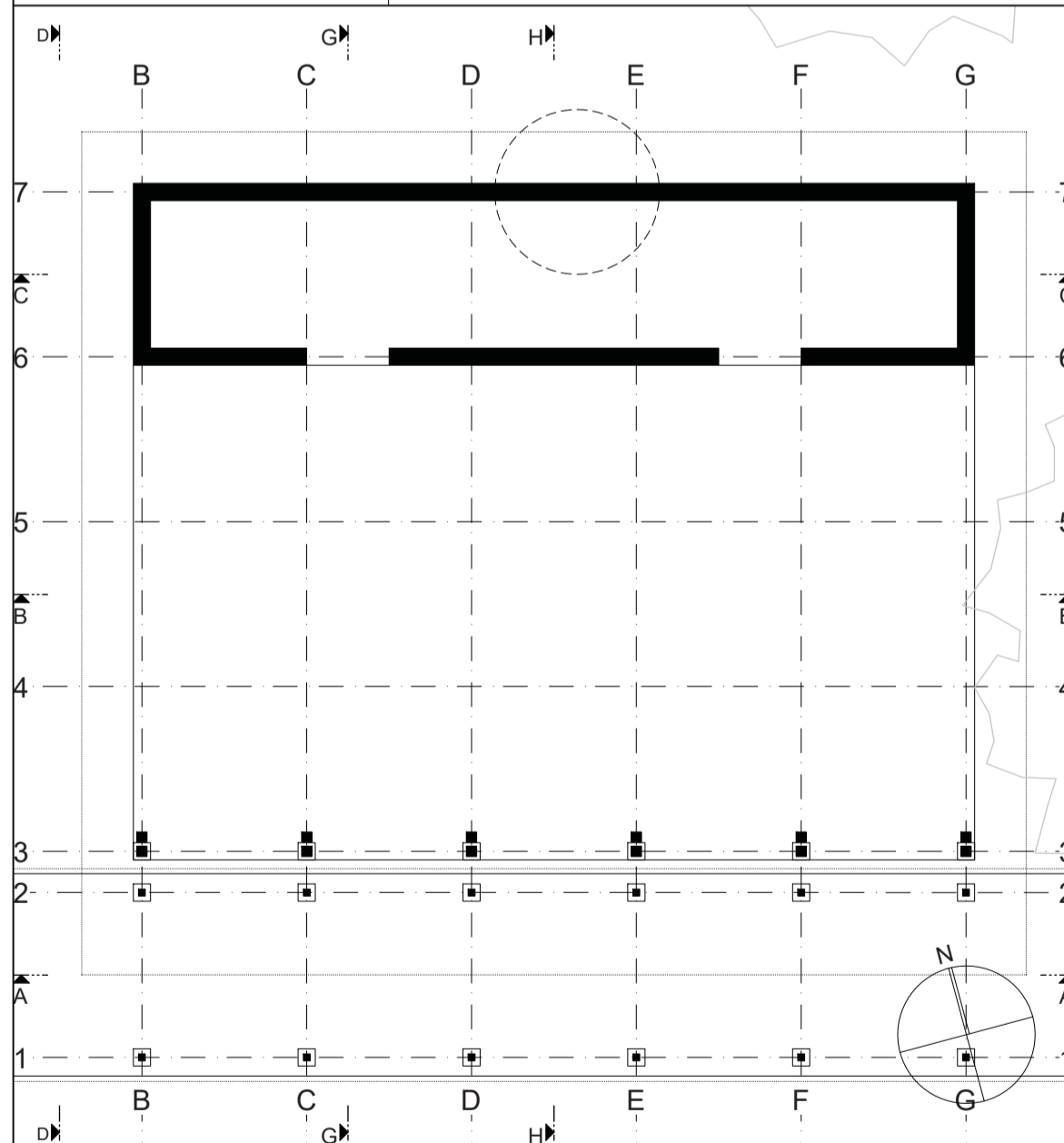


legend:		shortcuts:	
Stahibeton reinforced concrete	Höhenlage altitude	OKG	Geländeoberkante ground surface (height)
Ziegel brick	OKR OK Rohkonstruktion top edge building frame	FU	Fundament foundation
Lehmstein brick	UKR UK Rohkonstruktion lower edge building frame	SO	Sockel plinth
Bahareque bahareque	OKF OK Fertigkonstruktion top edge finished	RB	Riegbalken ring beam
Stahl steel	UKF UK Fertigkonstruktion lower edge finished	RD	Rohdecke unfinished floor
Holz wood	Grundstücksgrenze site boundary	RB	Rohboden unfinished floor
Estrich screed	Achsen axis	UZ	Unterzug suspender beam
Kies gravel	Schnittlinie section line	ÜZ	Überzug suspender beam
Erdereich mature soil	Planverweis plan reference	OK	Oberkante top edge
		UK	Unterkante lower edge
		VK	Vorderkante leading edge
		RH	Raumhöhe (brutto) room height (gross height)
		LH	lichte Höhe (netto) clear height (net height)
		LB	lichte Breite (netto) clear width (net width)
		FFB	Fertigfußboden finished floor
		BRH	Brüstungshöhe ab OKFFB parapet height of OKFFB
		STUK	Sturz-UK ab OKFFB lintel height of OKFFB
		DF	Dehnungsfuge expansion joint
		RR	Regenrohr/Falrohr rain pipe
		DN	Durchmesser (in mm) diameter (in mm)

All measurements/dimensions to check on site!

notes:

reference plans:



content: Detail Fenster Typ 1 und Typ 2		scale: 1:5	
plan nr.: 263_A_dt-W		sheet size: A1	
drawn by: AS	date: 22.01.2020		
project: Centro de Cultura y Ecologia		client: Santa Catarina Quiané, México	
Santa Catarina, Quiané, México new construction of a cultural centre second building phase		author: Hochschule München Master Studio DesignBuild Quiané II Karlst. 6, 80333 München	