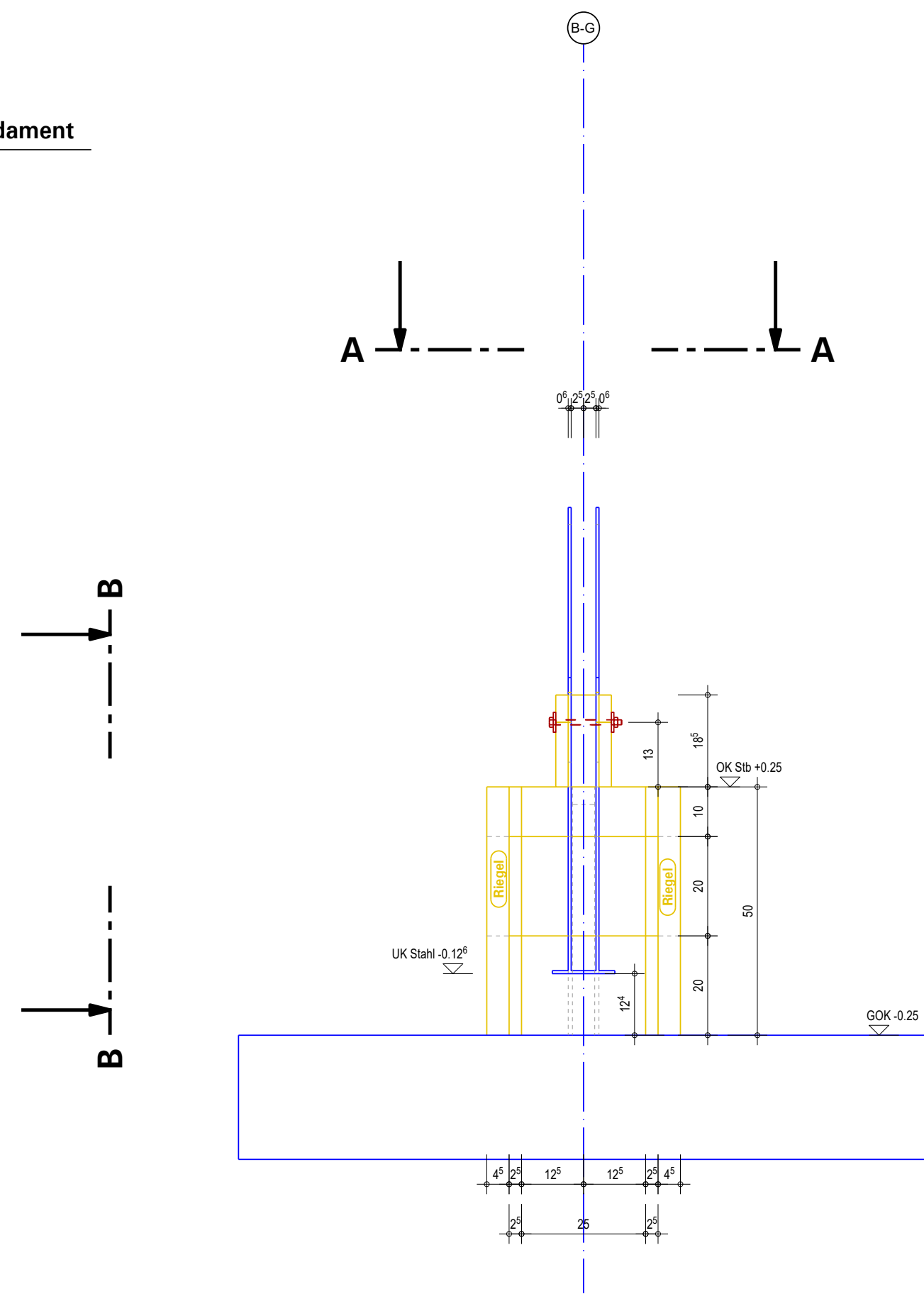
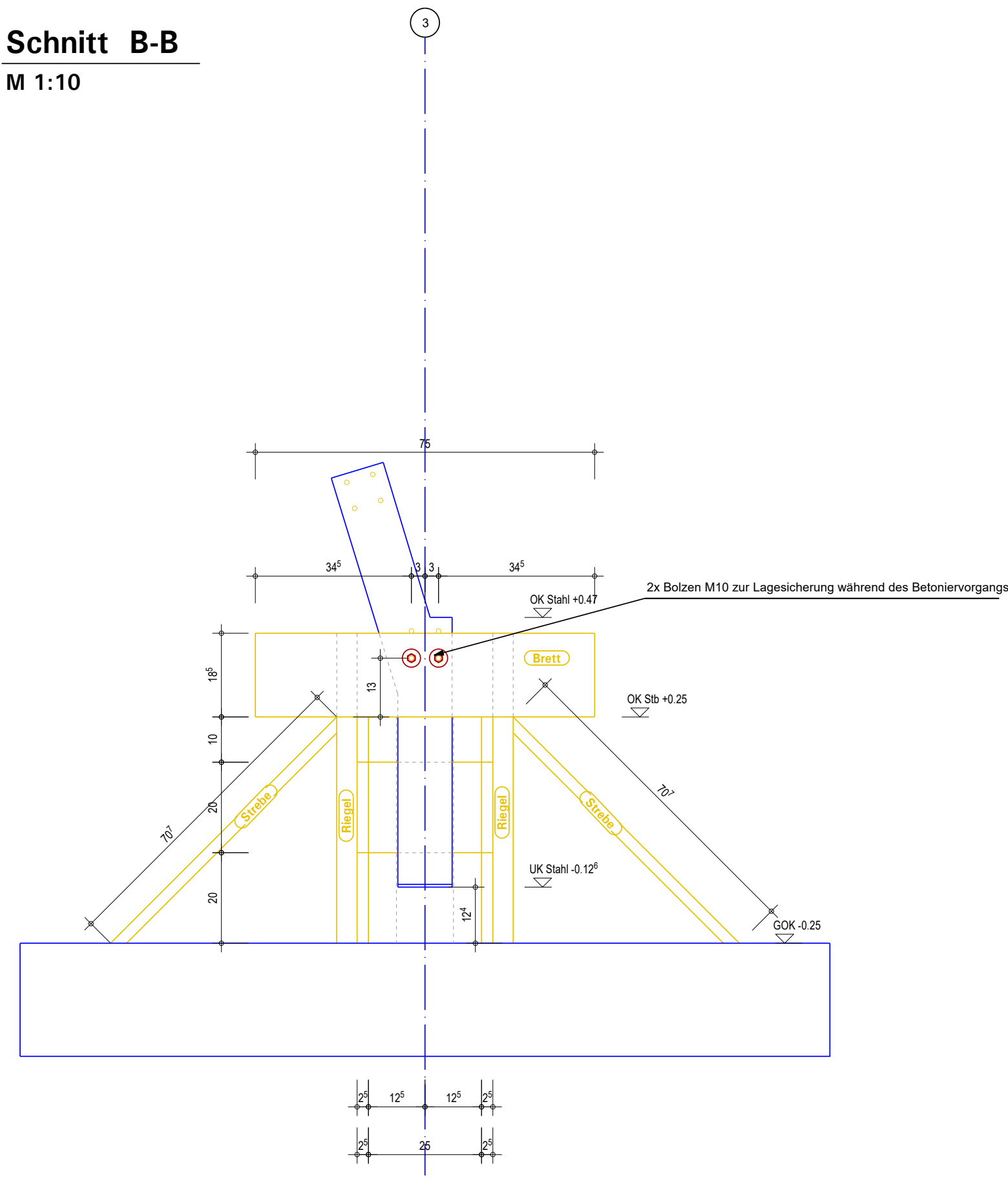


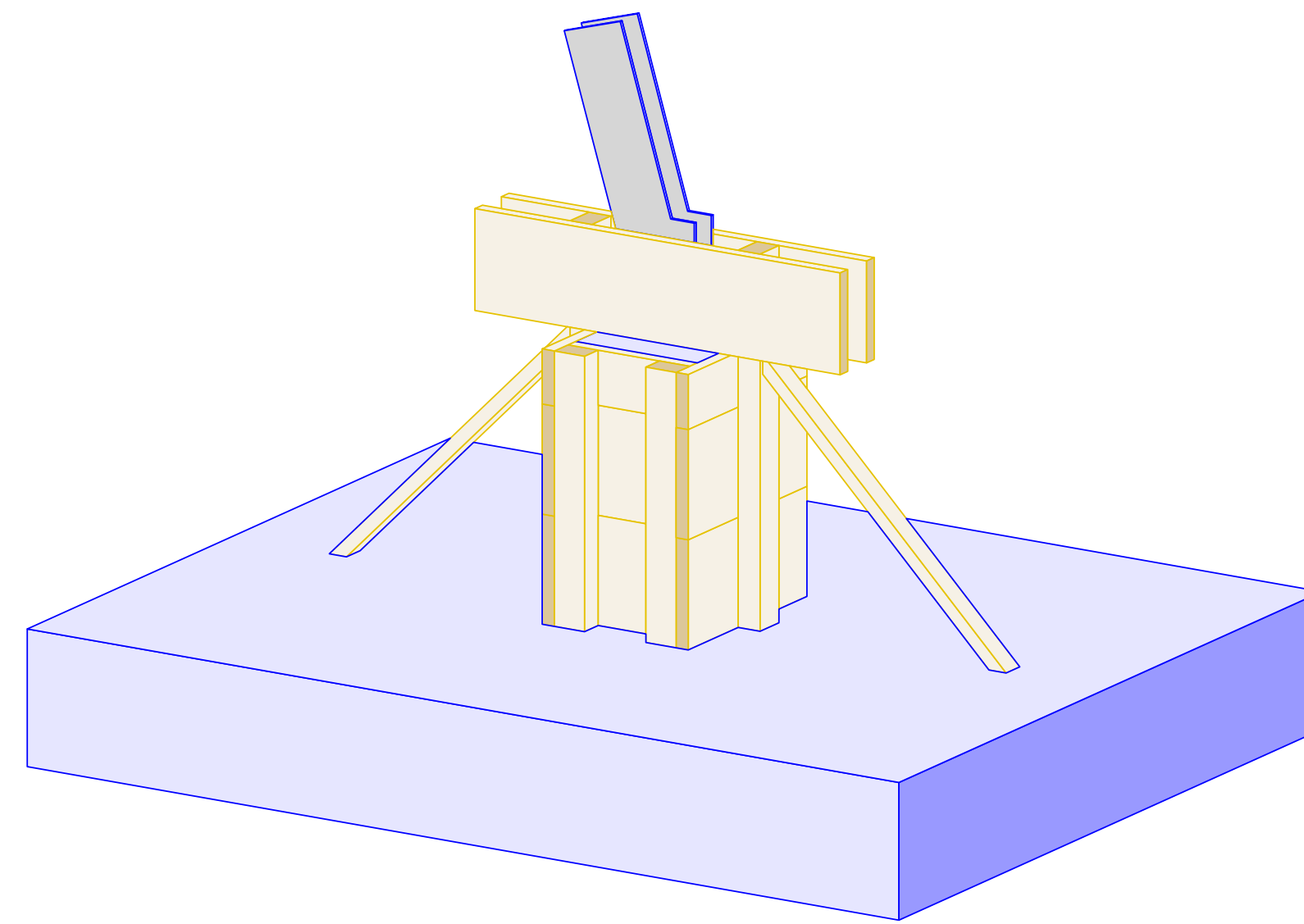
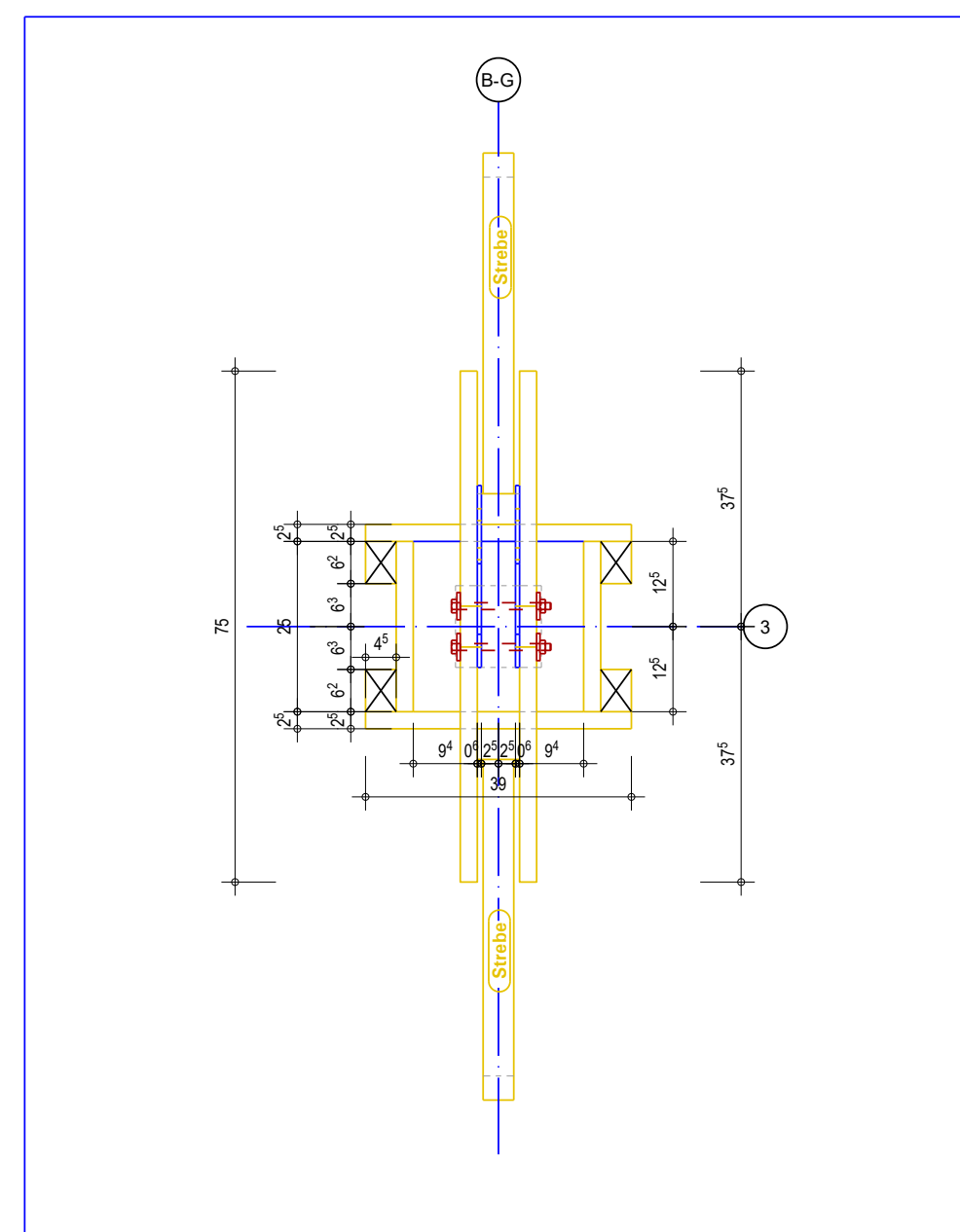
Aula  
 Schalung Stützenfundament  
 M 1:10



Schnitt B-B  
 M 1:10



Schnitt A-A  
 M 1:10



<b>Planinhalt:</b>		
<b>Schalung Stützenfundament</b>		
<b>drawn:</b> Master Studio University Munich Design Studio Keller: 6 80333 München	<b>date:</b> 24.01.2020	<b>scale:</b> M 1:10
<b>Project:</b> Centre Cultural y Ecologico new construction of a cultural centre second phase of construction; Santa Catarina, Oaxaca, Mexico	<b>client:</b> Campo Santa Catarina, Oaxaca	<b>plannumber:</b> 122.1_A_ep