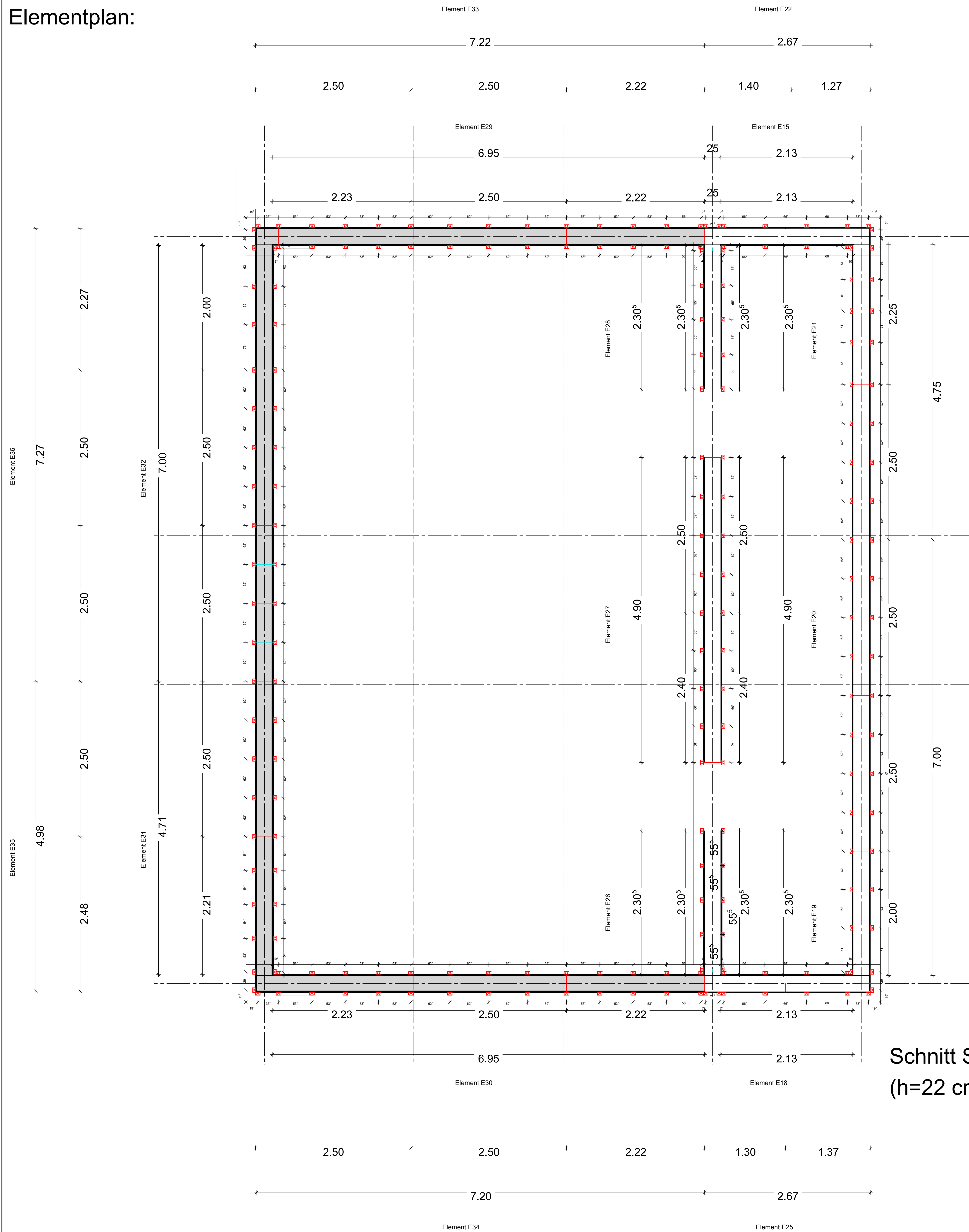
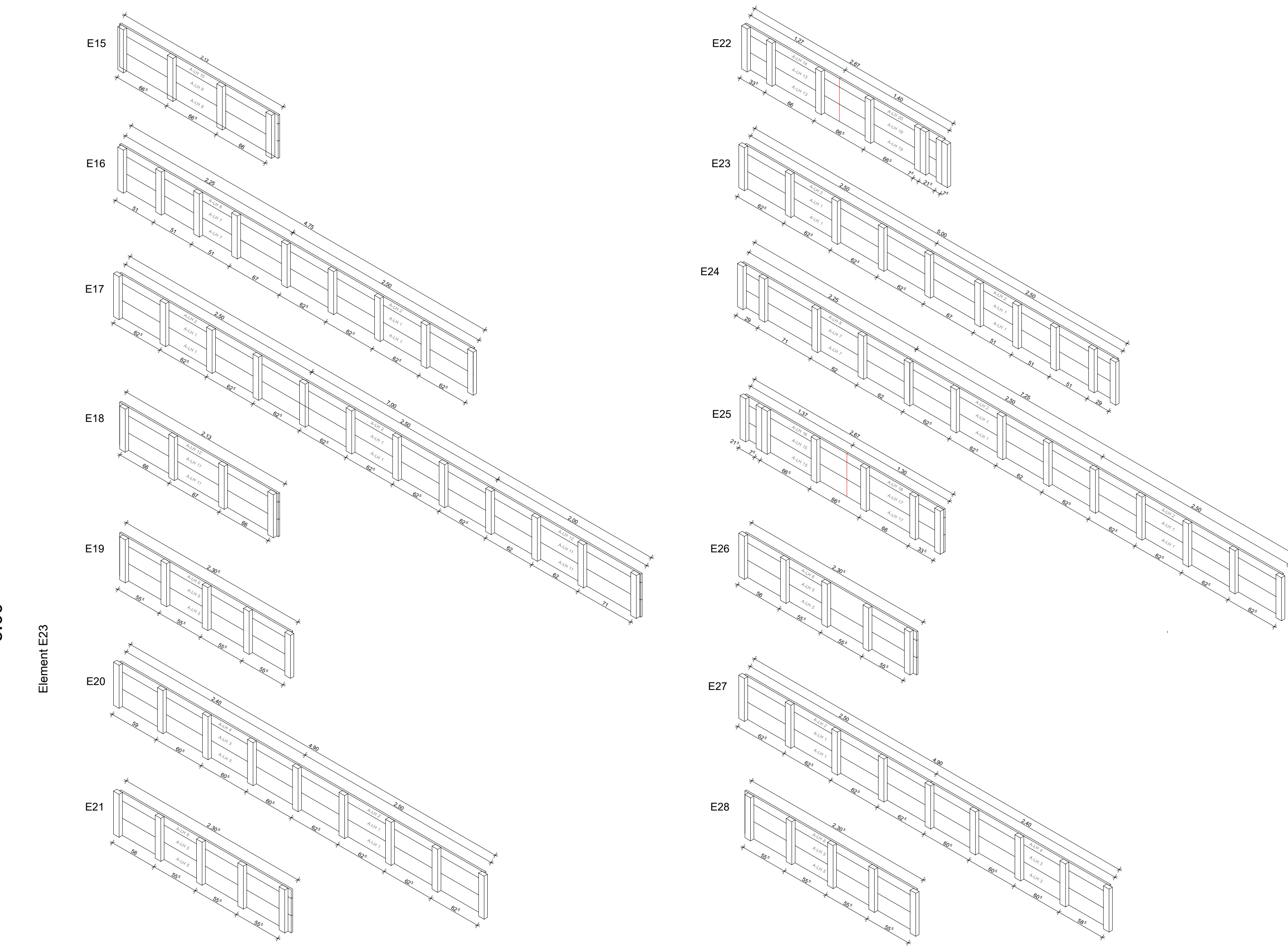


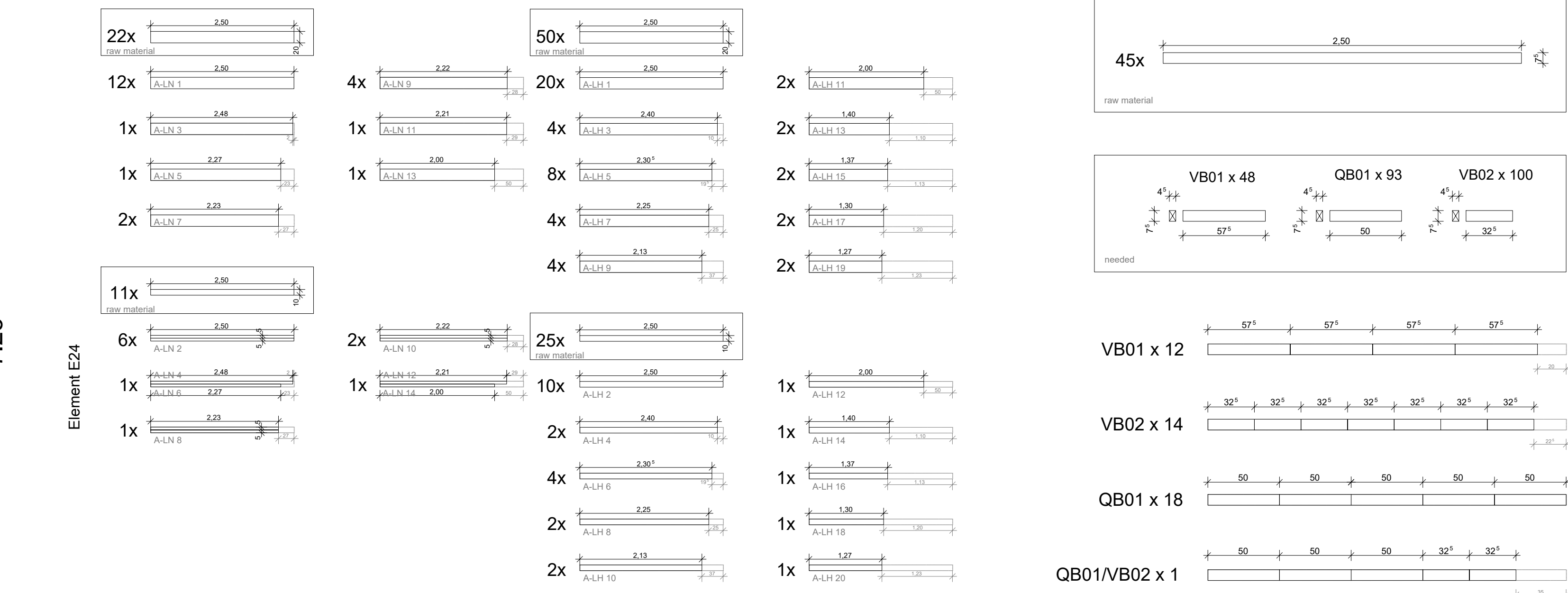
# Elementplan:



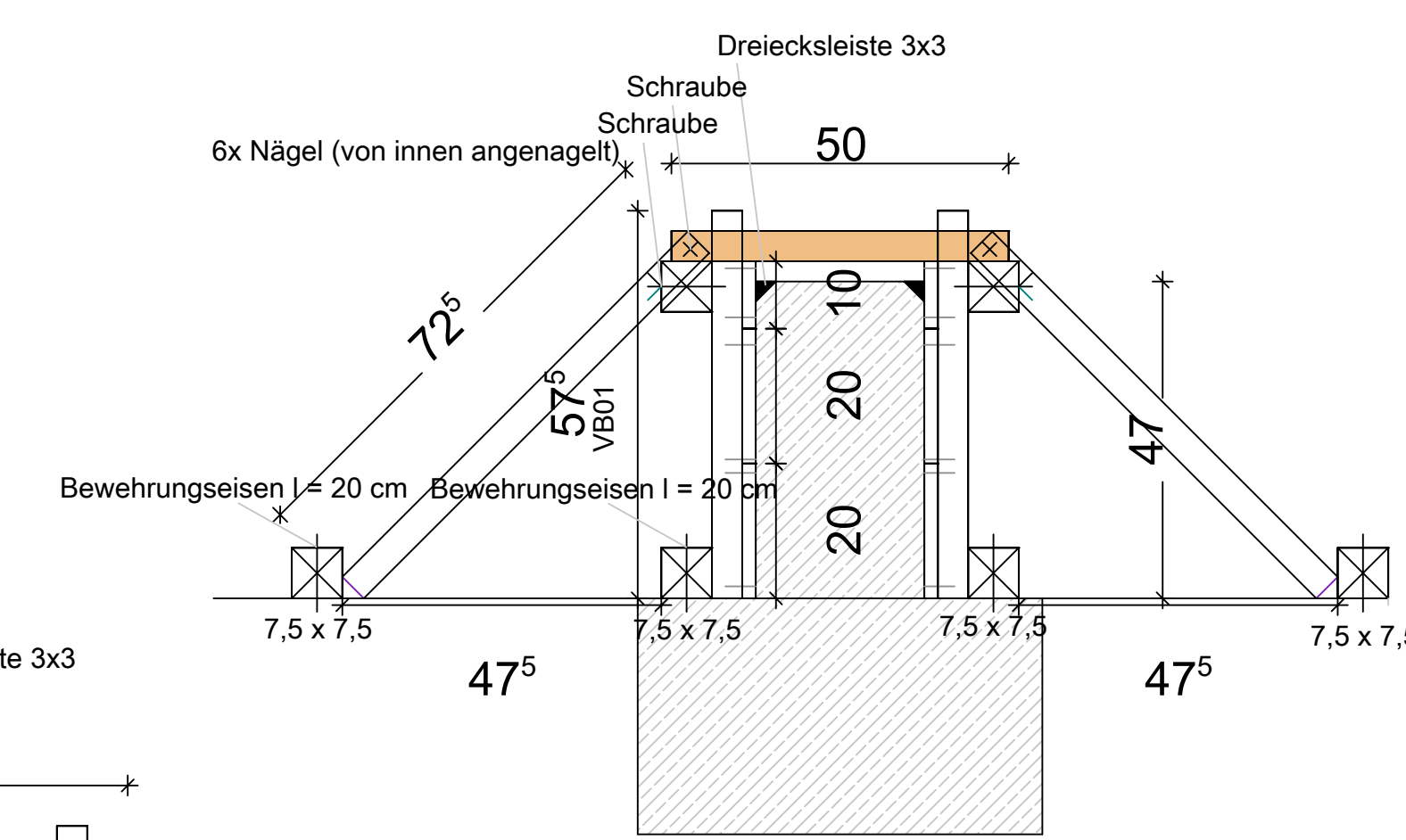
# Abbundplan:



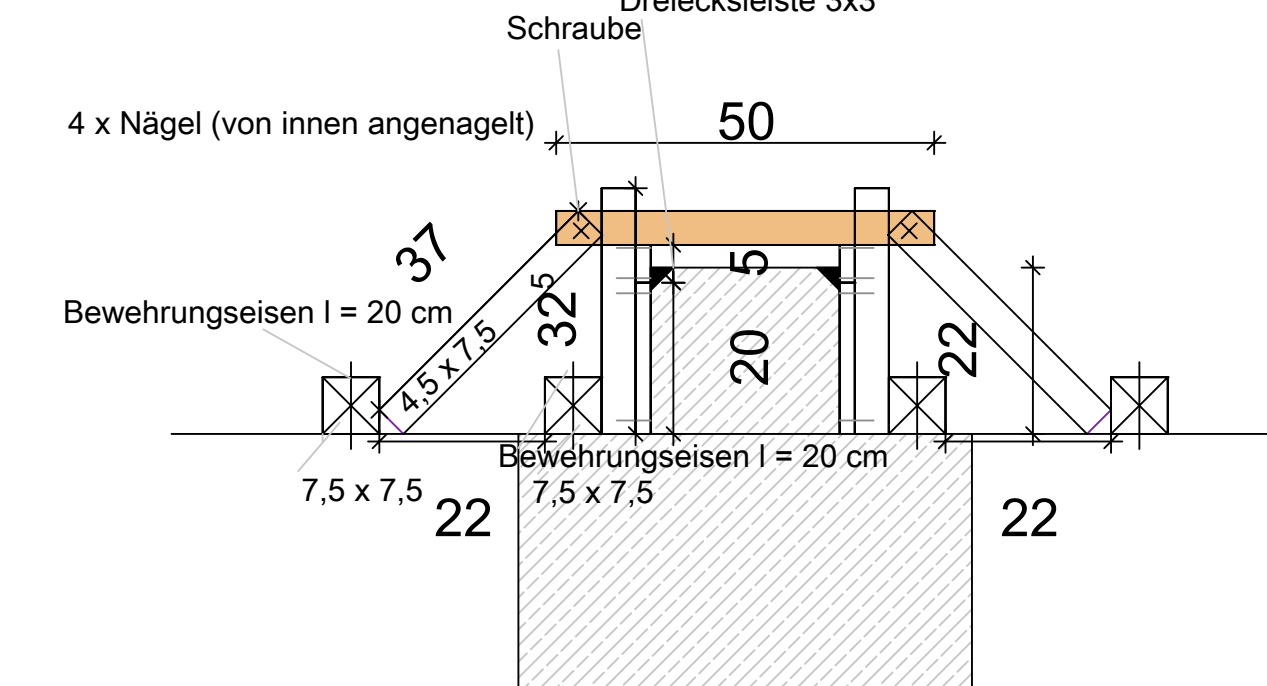
# Abbundplan:



# Schnitt Sockel: (h=47 cm)



# Schnitt Sockel: (h=22 cm)



content:	Formwork Kitchen		
plan nr.:	122_A_sp		
drawn by:	LV	date:	23.01.2020
project:	Santa Catarina, Quiané, México		scale:
client:	Santa Catarina		sheet size:
author:	Hochschule München		A0
Master Studio			
Design/BUILD Quiané II			
second building phase			