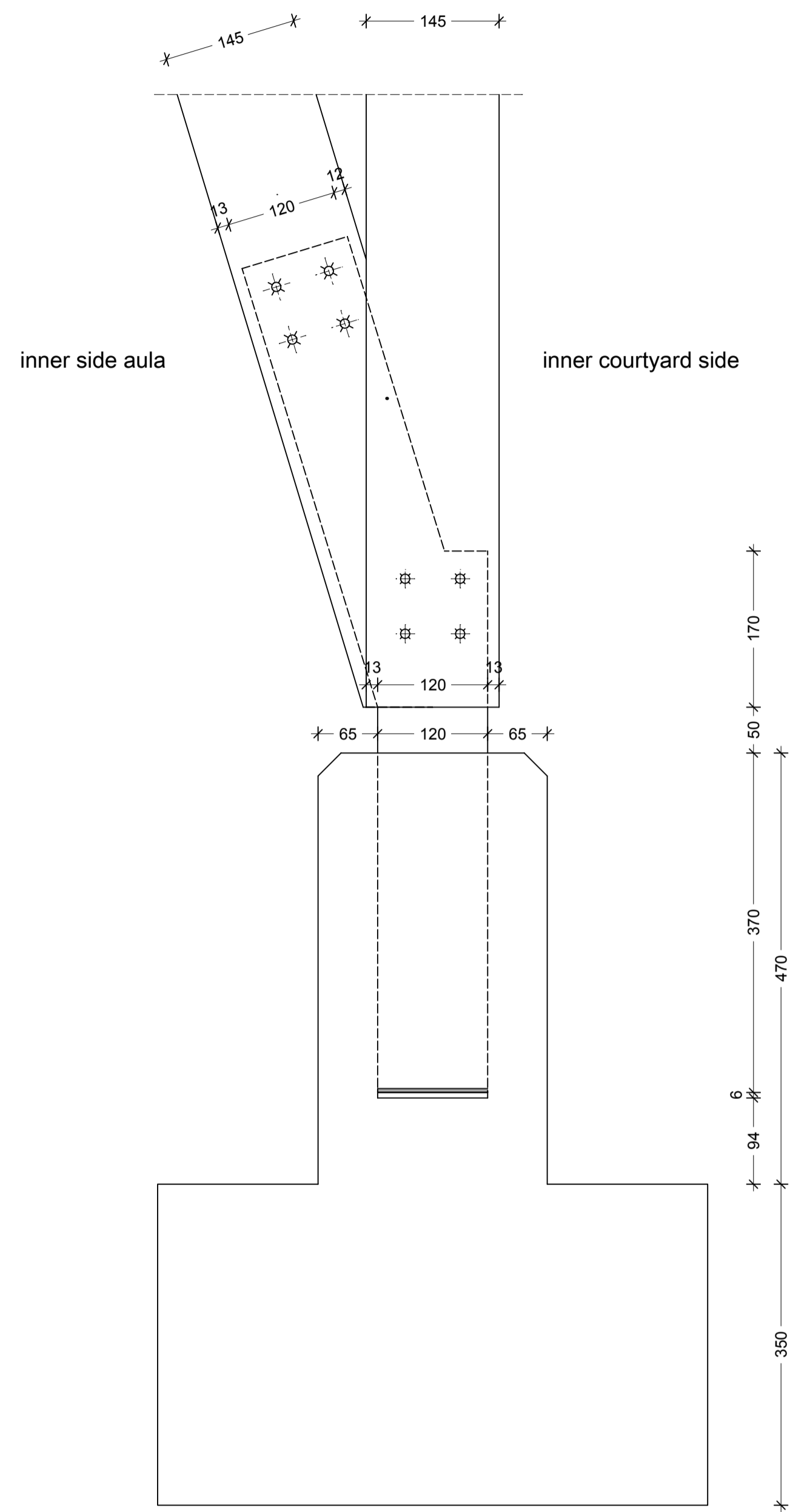
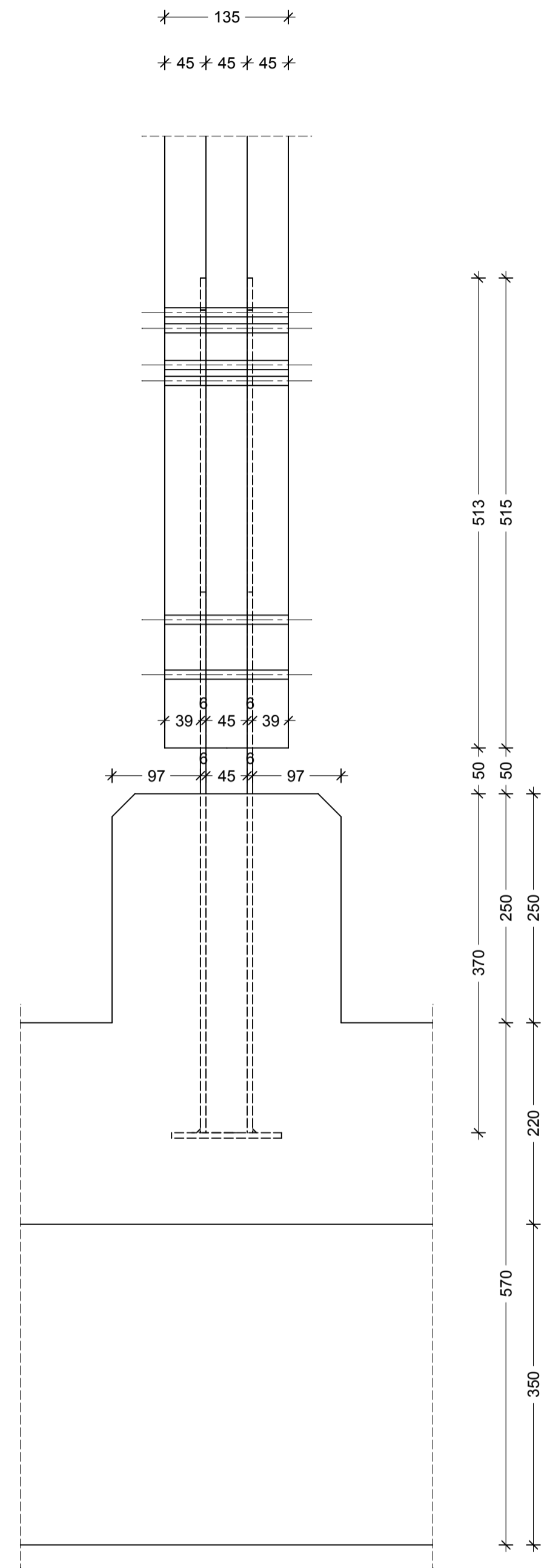


view A3



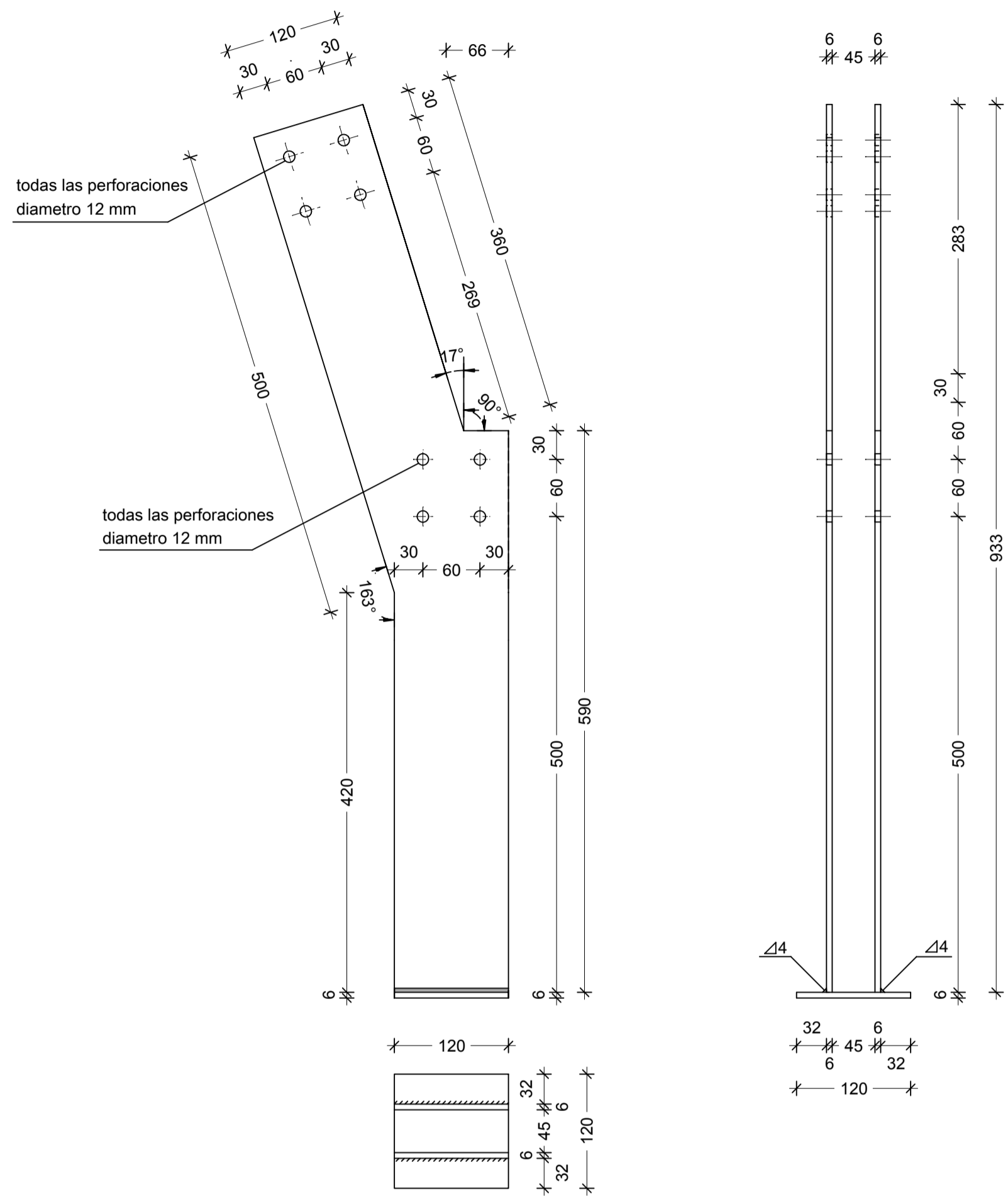
view A4



placa de anclaje metalica aula, S235

cantidad = 6

todas las medidas están en milímetros (mm)

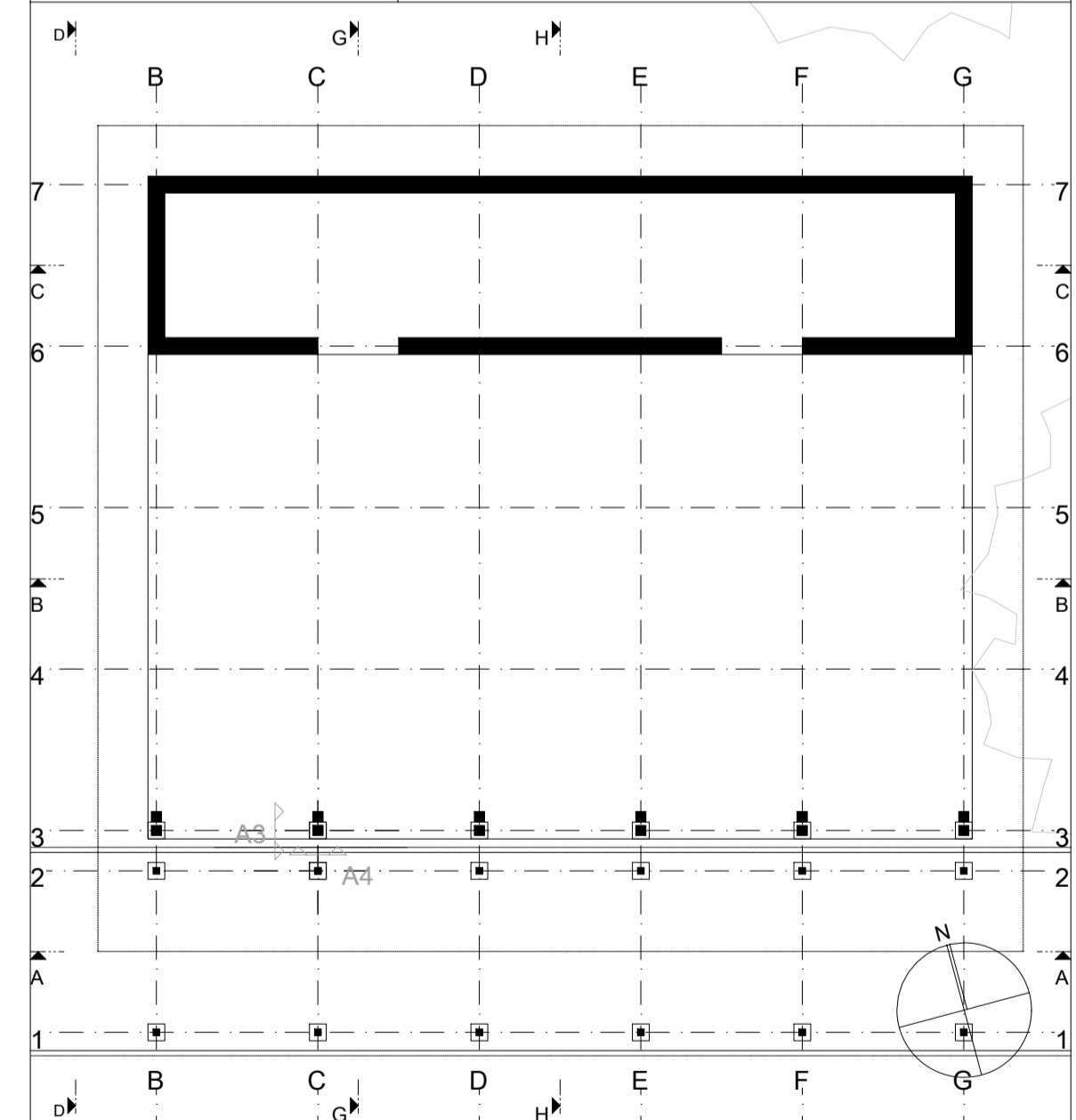


legend:		shortcuts:	
	Stahibeton reinforced concrete		Geländeoberkante ground surface (height)
	Ziegel brick		Fundament foundation
	Lehmstein brick		Sockel plinth
	Bahareque bahareque		Ringbalken rim joist
	Stahl steel		Rohdecke raw ceiling
	Holz wood		Rohboden unfinished floor
	Estrich screed		Unterzug beam/ridge/pillar
	Kies gravel		Überzug suspended beam
	Erdbreich mature soil		Oberkante top edge
	±0.00 altitude		Unterkante lower edge
	OKR OK Rohkonstruktion top edge building frame		Vorderkante heating edge
	UKR UK Rohkonstruktion lower edge building frame		Raumhöhe (brutto) room height (gross height)
	OKF OK Fertigungskonstruktion top edge finished		lichte Höhe (netto) clear height (net height)
	UKF UK Fertigungskonstruktion lower edge finished		lichte Breite (netto) clear width (net width)
	Grundstücksgrenze plot boundary		Fertigfußboden finished floor
	Achsen axis		Brüstungshöhe ab OK jambon height off OK/FB
	Schnittlinie section line		Sturz-UK ab OK/FFB lintel height off OK/FFB
	Planverweis plan reference		Dehnungsluge expansion joint
	000_X_xx.X plan reference		Regenrohr/Fallrohr rain pipe
			Durchmesser (in mm) diameter (in mm)

All measurements/dimensions to check on site!

notes:

reference plans:



content: knife plate aula

plan nr.: 124\_A\_dt

drawn by: SK date: 21.01.2020 scale: 1 : 5 sheet size: A1

project: Centro de Cultura y Ecologia Santa Catarina, Quiané, México  
 client: Santa Catarina, Quiané, México  
 author: Hochschule München Master Studio DesignBuild Quiané II  
 Santa Catarina, Quiané, México  
 new construction of a cultural centre  
 second building phase  
 Karlsruhe, 6, 90333 München