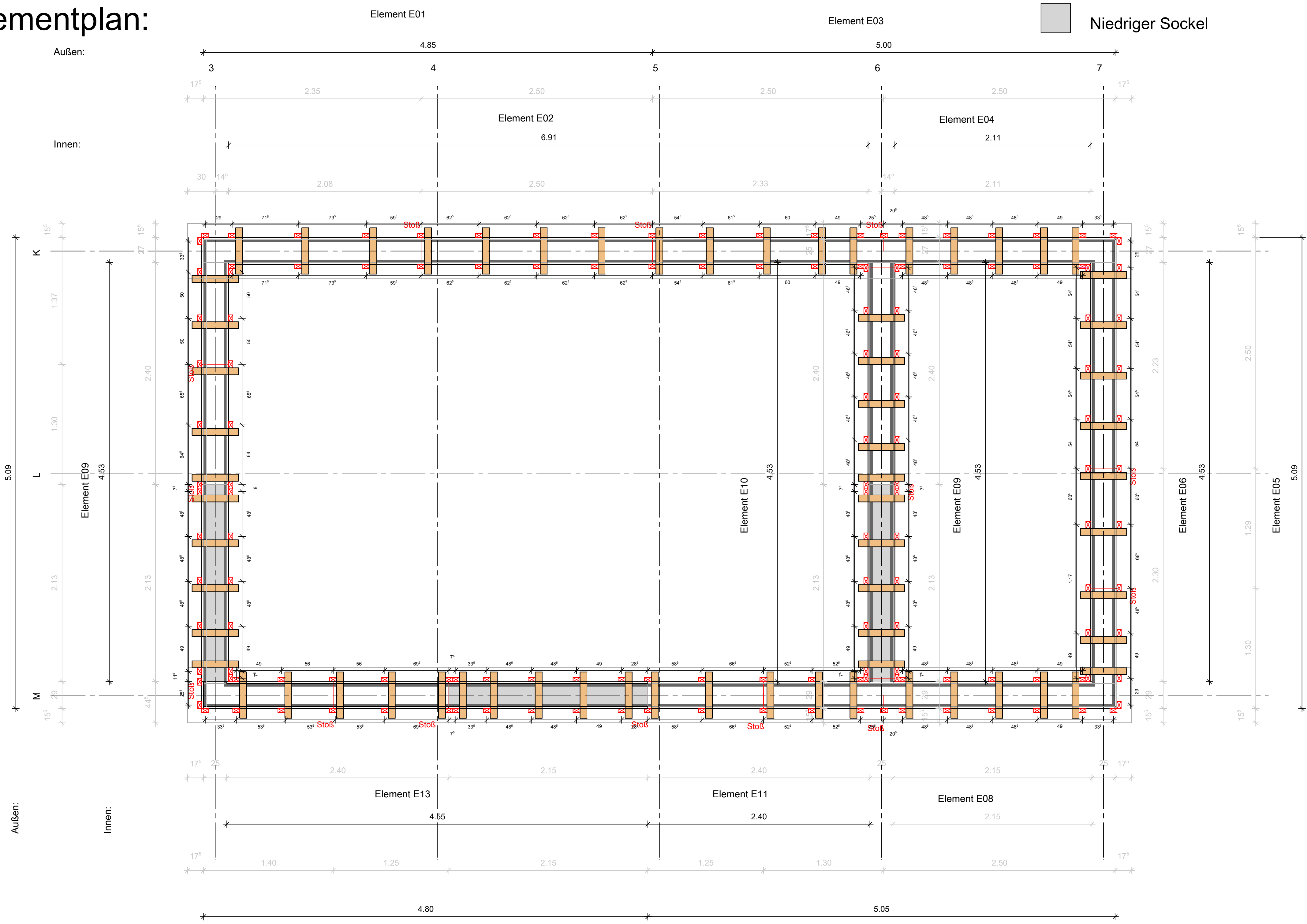


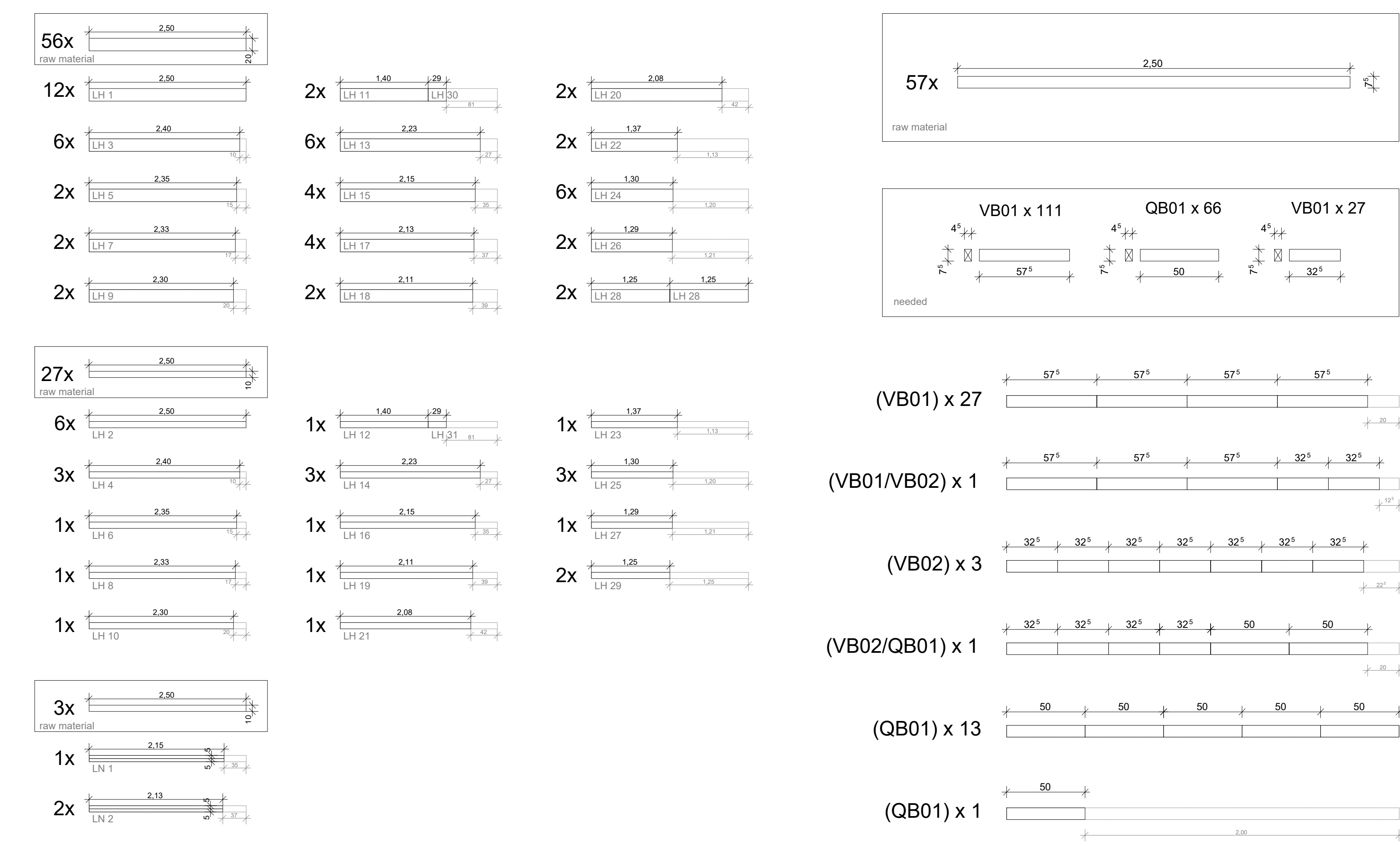
Elementplan:



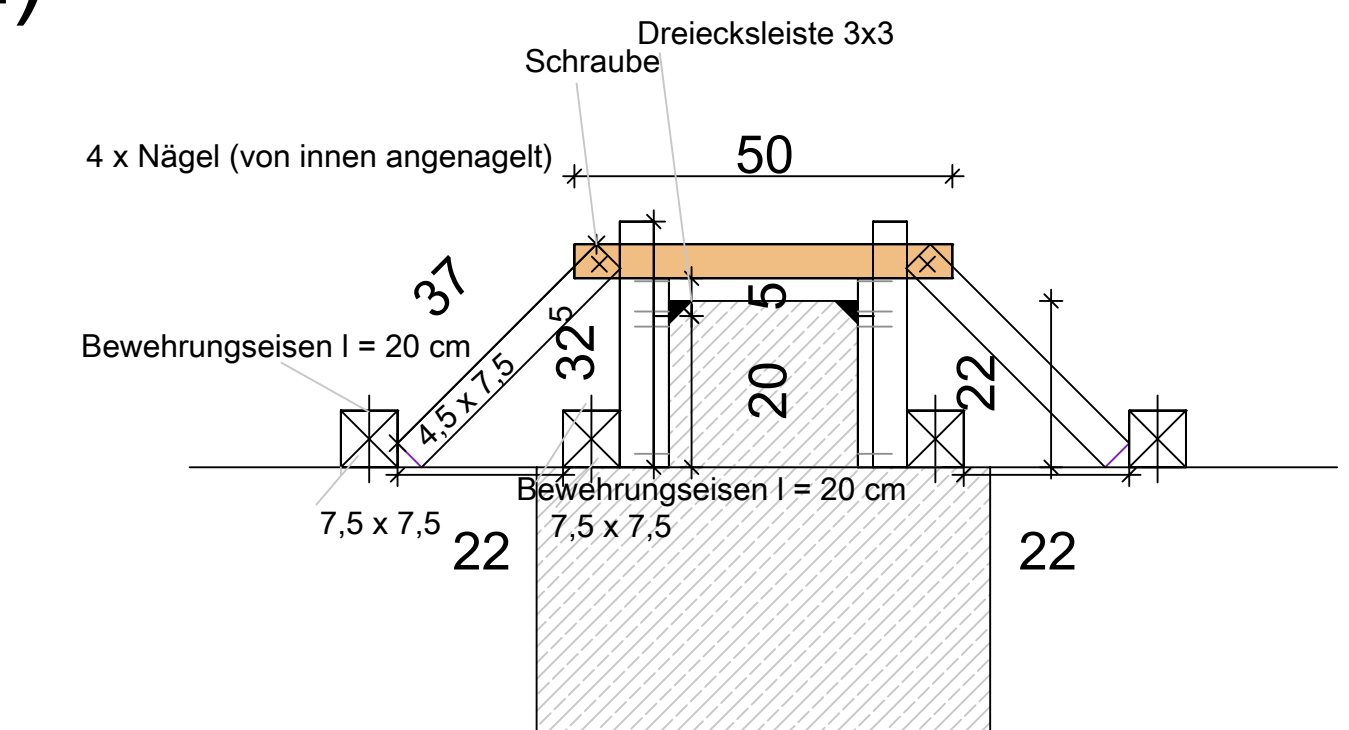
Niedriger Sockel

Dreiecksleiste

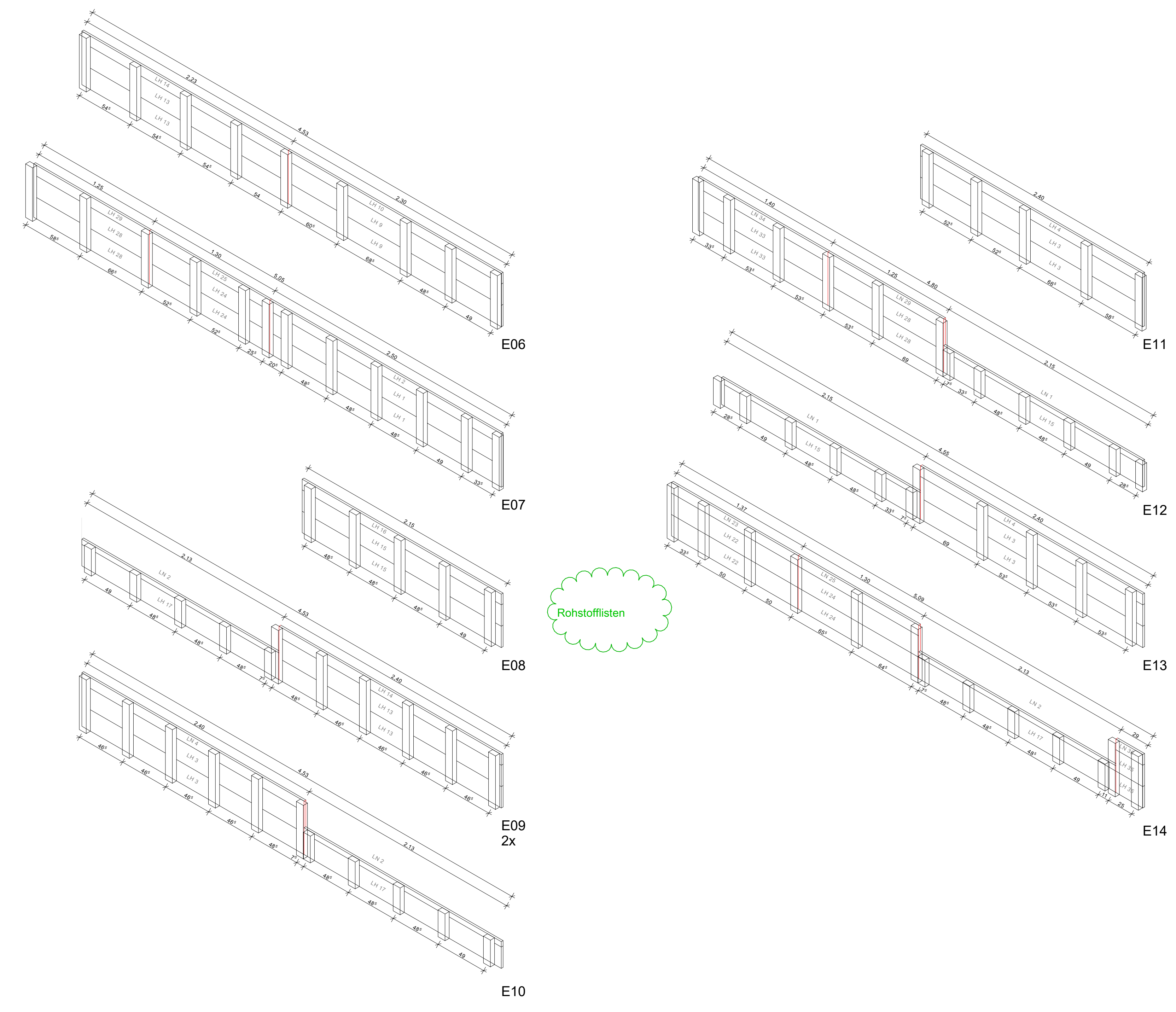
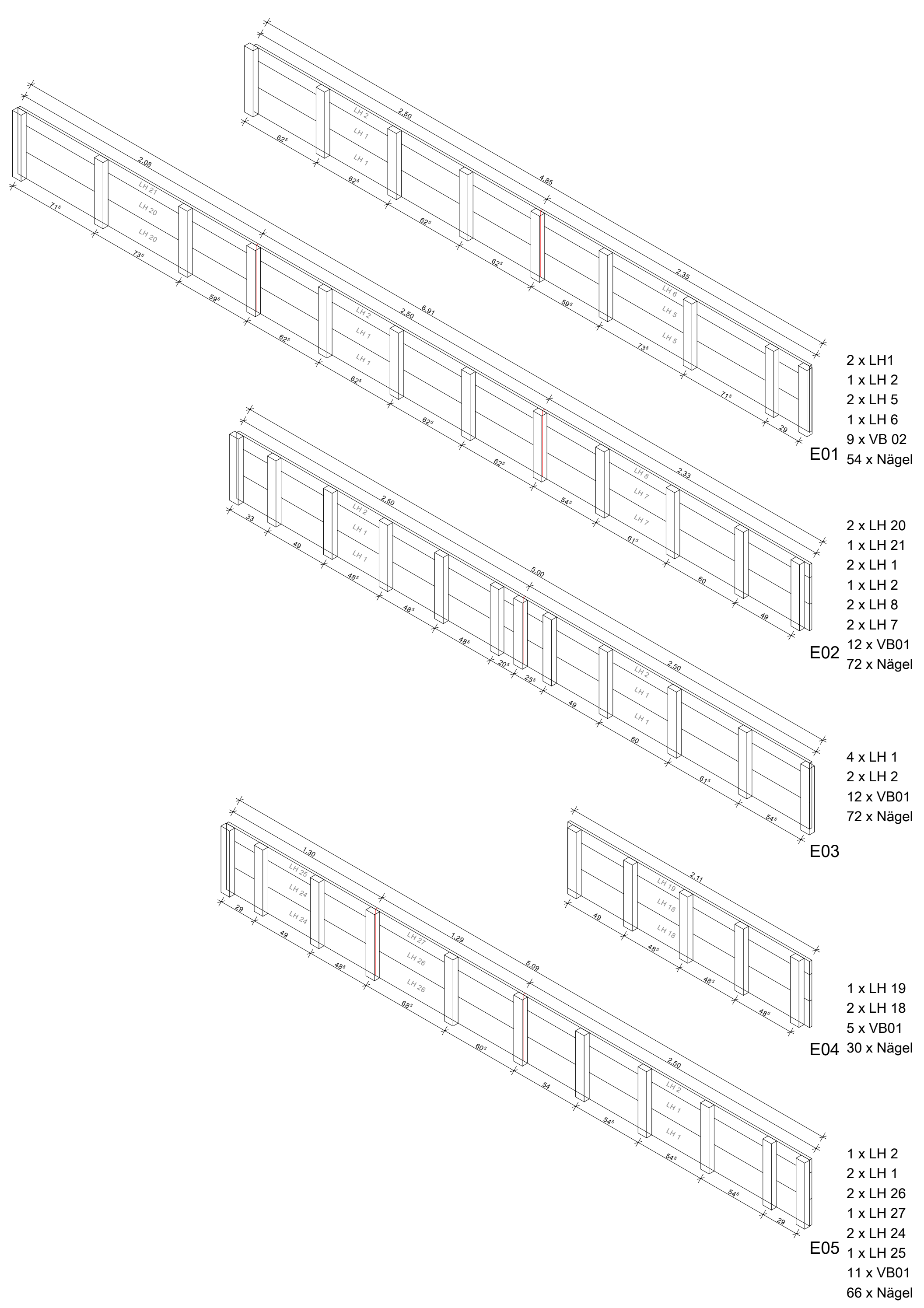
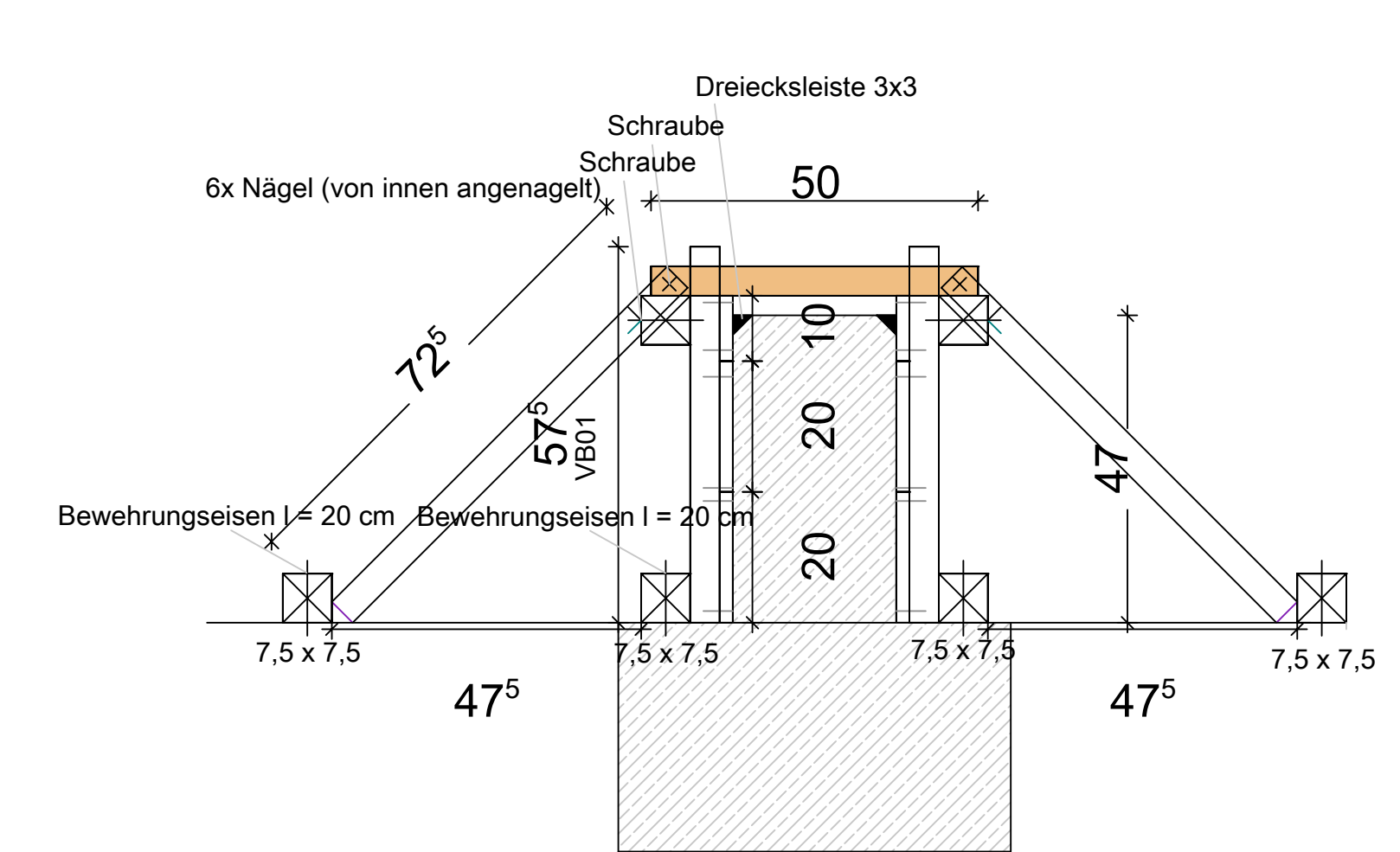
Abbundplan



Schnitt Sockel: (h=22 cm)



Schnitt Sockel: (h=47 cm)



Rohstofflisten

Rohstofflisten

content: Formwork Kitchen			
plan nr.: 522_K_sp			
drawn by: AB / LV	date: 23.01.2020	scale:	sheet size: A0
project: Centro de Cultura y Ecologia		client: Santa Catarina Quiané, México	
Santa Catarina, Quiané, México		author: Hochschule München Master Studio DesignBüro Quiané II	
new construction of a cultural centre		second building phase	