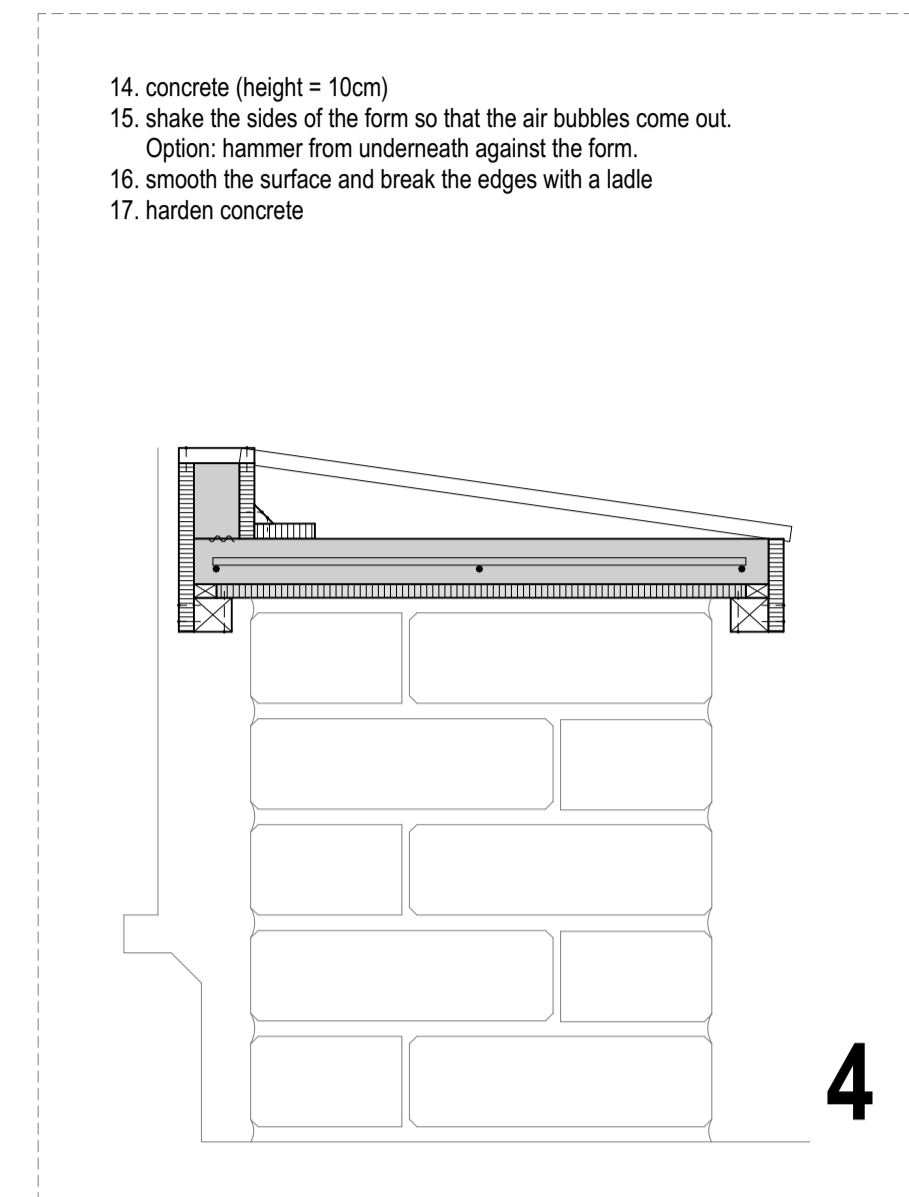
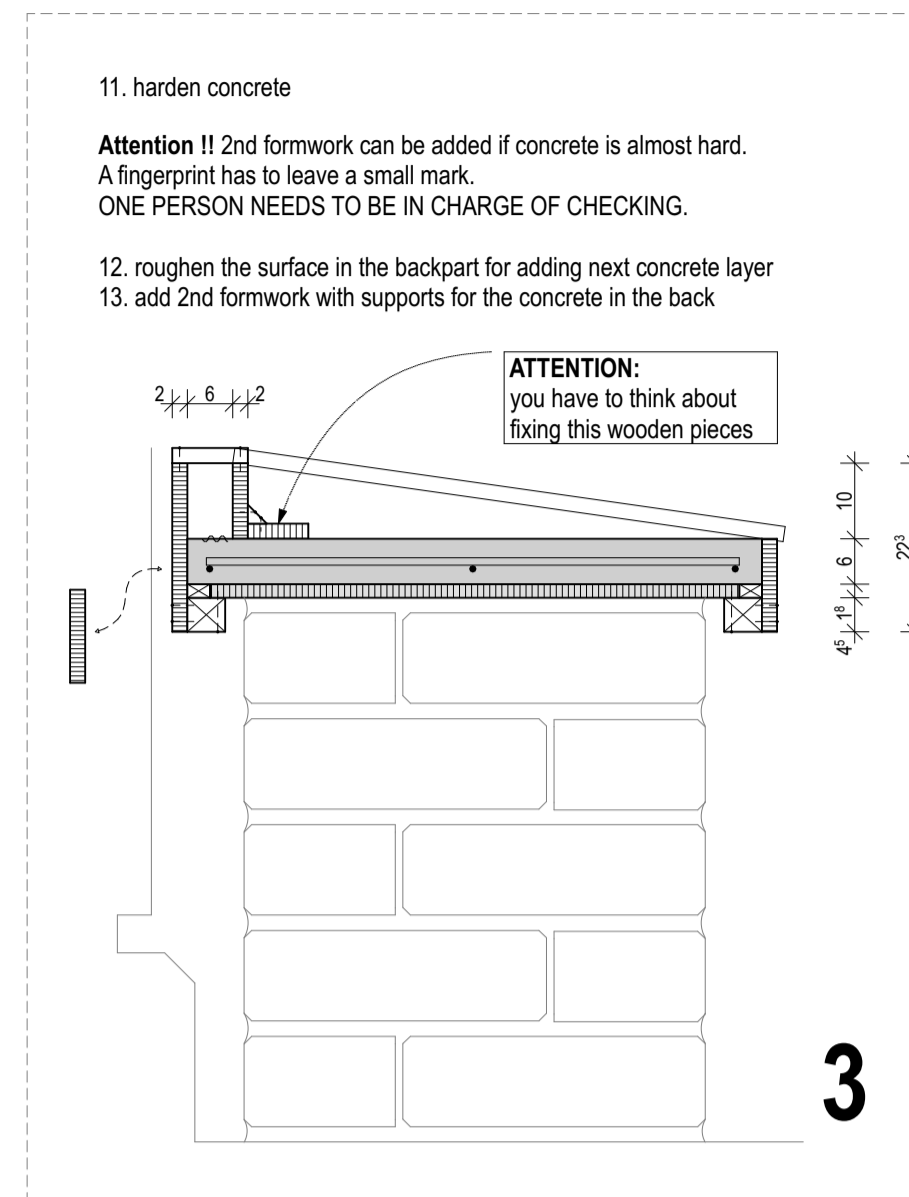
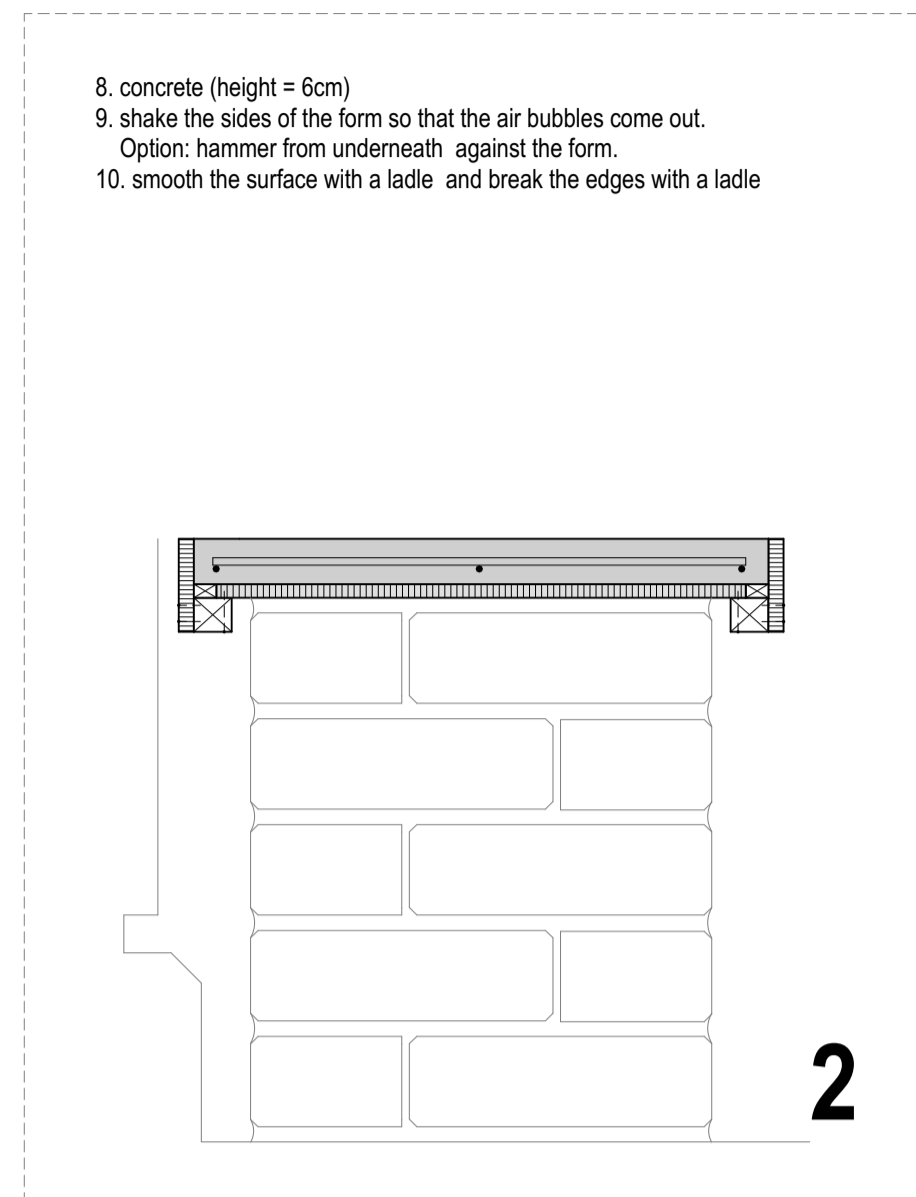
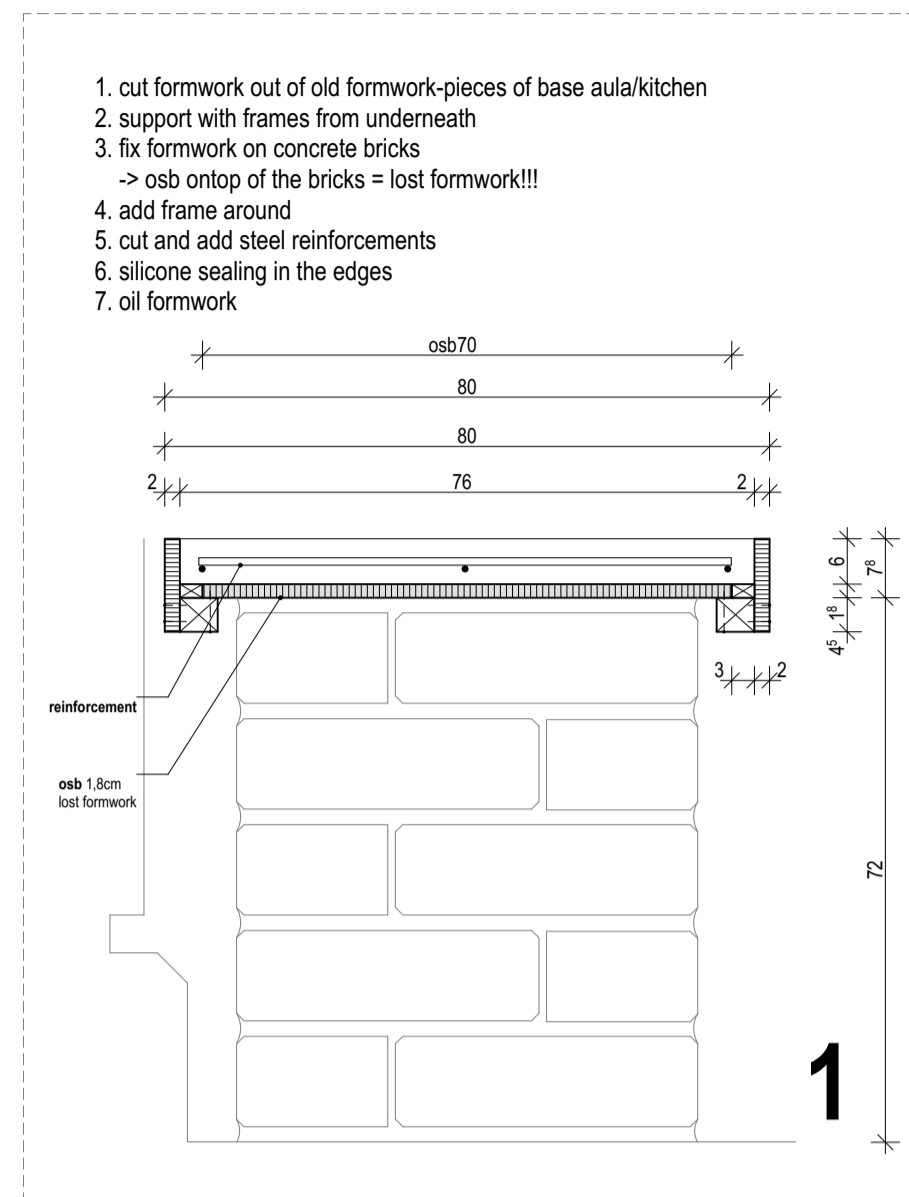
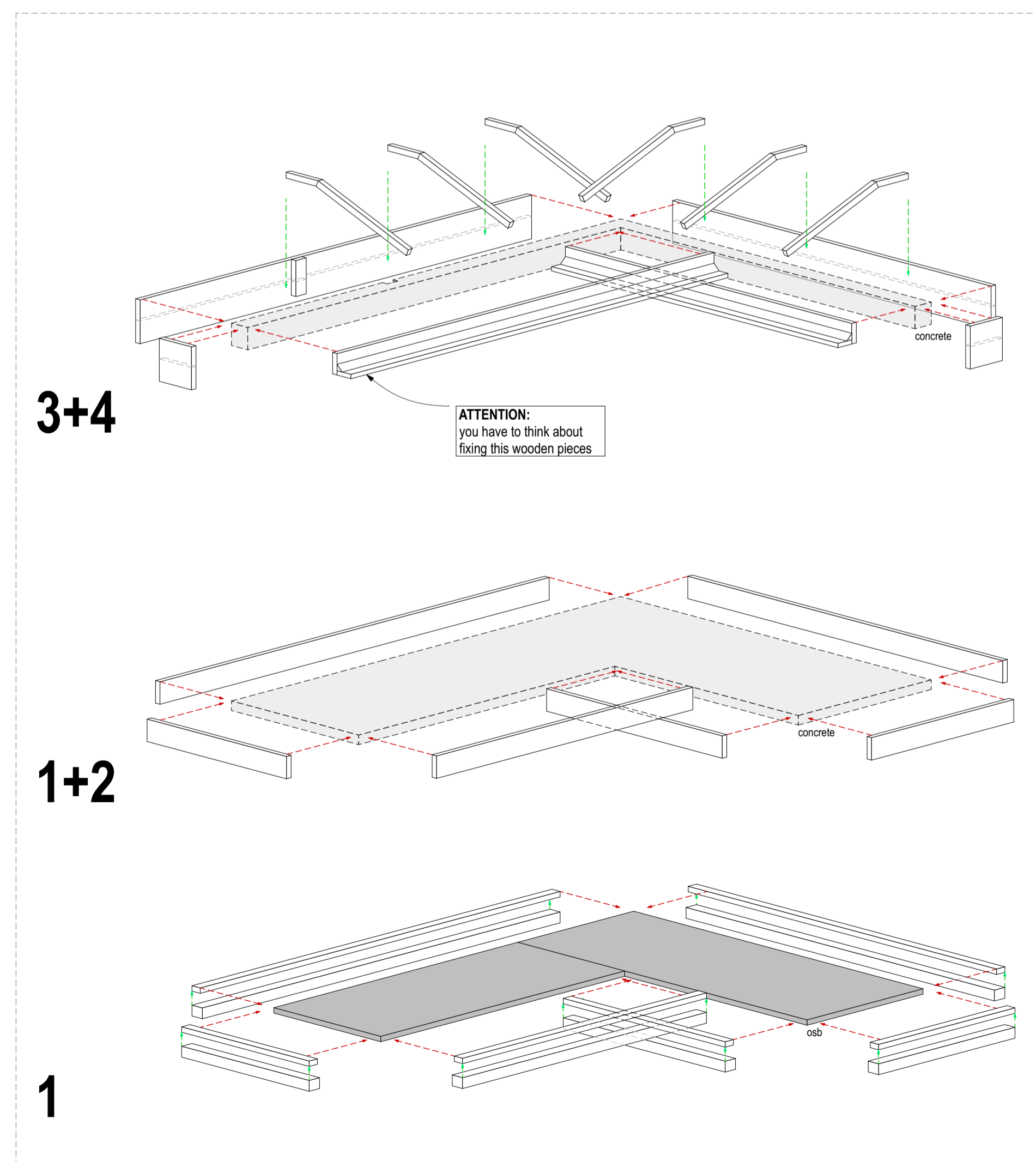
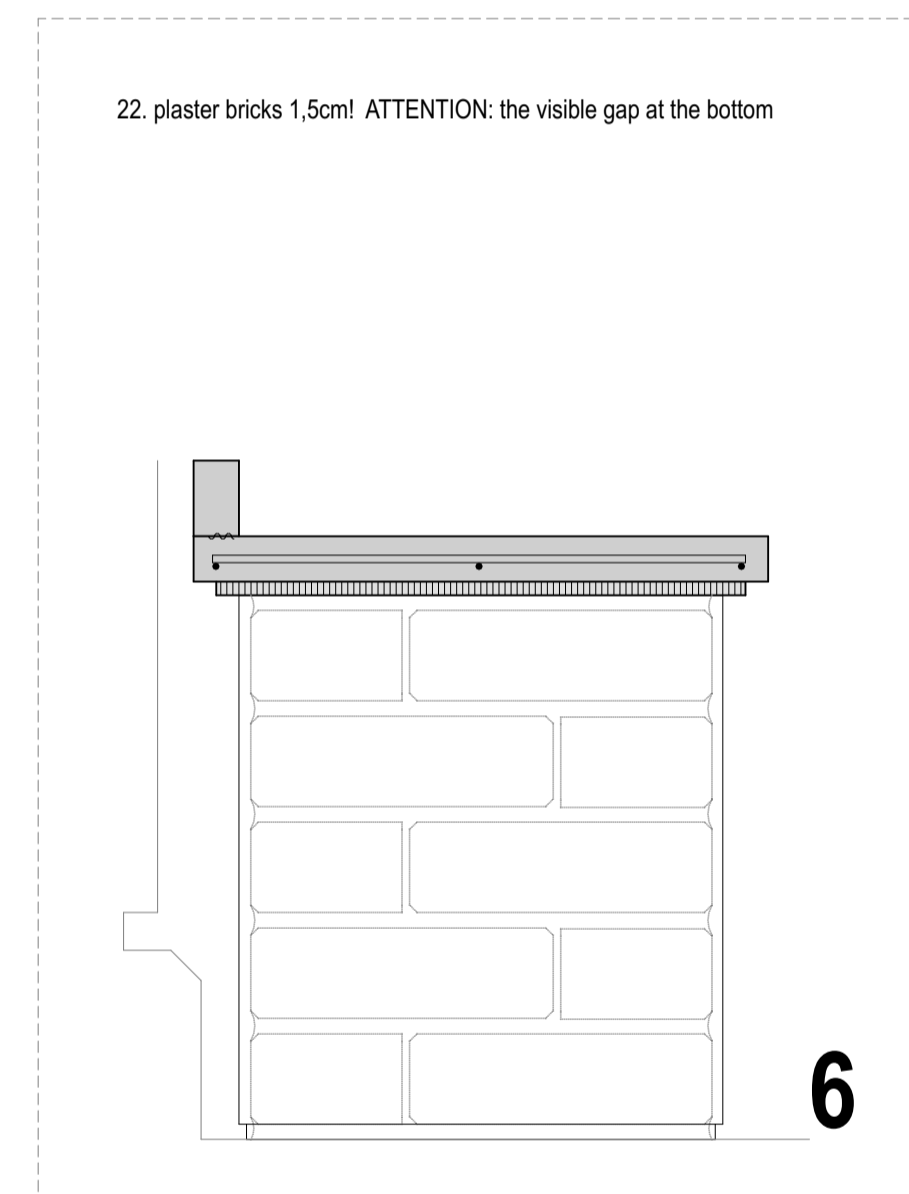
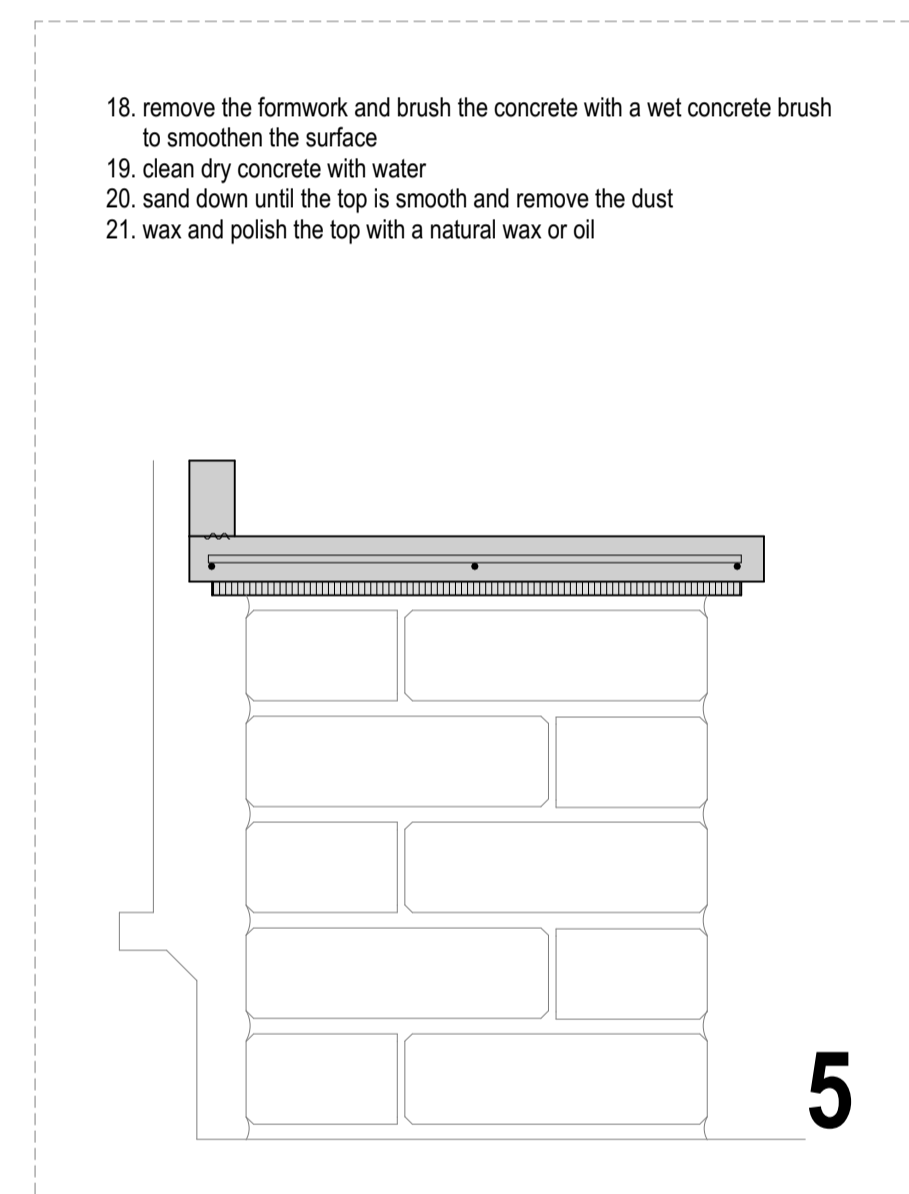


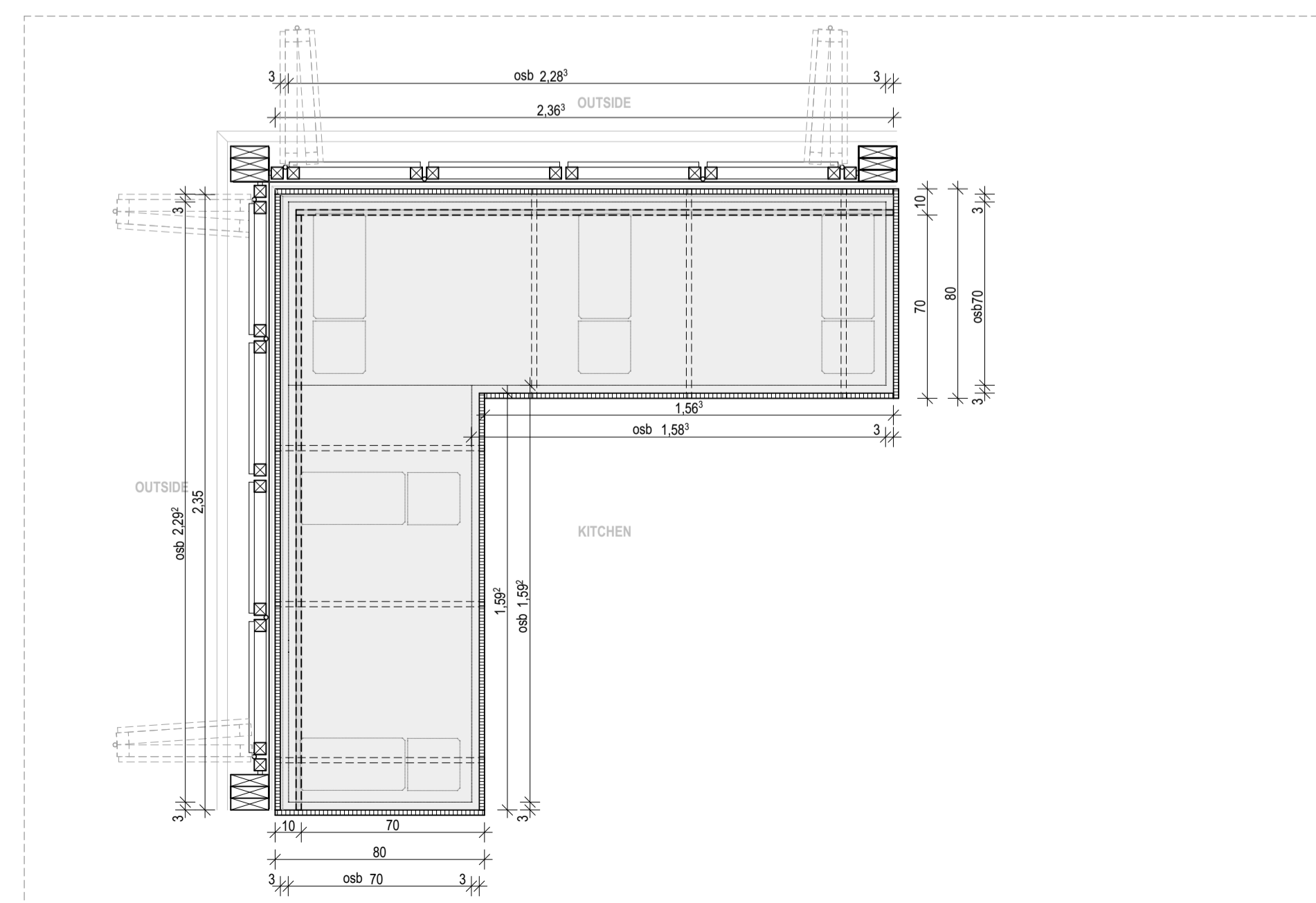
# KITCHEN FRONT COUNTER | FORMWORK



SECTIONS BUILDING STEPS | M 1:10



ISO FORMWORK CONSTRUCTION | M 1:20



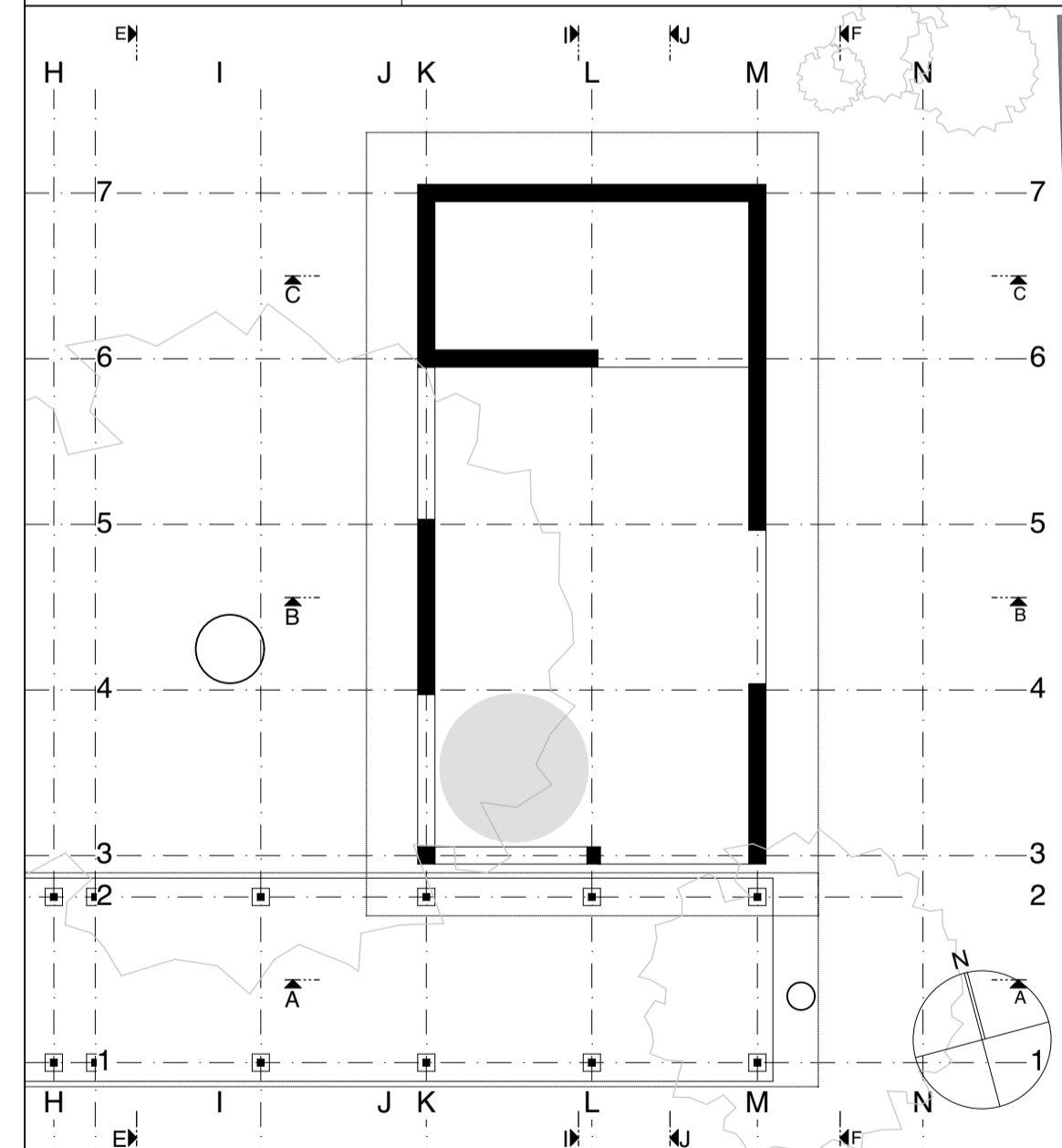
legend:		shortcuts:	
	Stahlbeton reinforced concrete		Geländeoberkante ground surface (height)
	Ziegel brick		Fundament foundation
	Lehmstein adobe		Sockel plinth
	Baharreque bamboo reed		Ringbalken ring beam
	Stahl steel		Rohdecke raw ceiling
	Holz wood		Rohboden unfinished floor
	Estrich screed		Unterzug beam/suspender
	Kies gravel		Überzug suspender beam
	Erde mature soil		Oberkante top edge
	Höhenlage altitude		Vorderkante leading edge
	OKR OK Rohkonstruktion top edge building frame		Raumhöhe (brutto) room height (gross height)
	UKR UK Rohkonstruktion lower edge building frame		lichte Höhe (netto) clear height (net height)
	OKF OK Fertigkonstruktion top edge finished		lichte Breite (netto) clear width (net width)
	UKF UK Fertigkonstruktion lower edge finished		Fertigfußboden finished floor
	Grundstücksgrenze site boundary		Brüstungshöhe ab OKFFB parapet height of OKFFB
	Achsen axis		Sturz-UK ab OKFFB lintel height of OKFFB
	Schnittlinie section line		Dehnungsuge expansion joint
	Planverweis plan reference		Regenrohr/Fallrohr rain pipe
			Durchmesser (in mm) diameter (in mm)

All measurements/dimensions to check on site!

notes:

reference plans:

606\_K\_dt-I  
411\_K-gr  
front counter  
kitchen lower ground floor



content: Kitchen \_ Formwork Front Counter

plan nr.: 607\_K\_dt\_I

drawn by: JS  
date: 24.01.20  
scale: 1:20, 1:10  
sheet size: A1

project: **Centro de Cultura y Ecologia**  
Santa Catarina, Quiané, México  
client: Santa Catarina  
Quiané, México  
author: Hochschule München  
Master Studio  
DesignBuild Quiané II

new construction of a cultural centre  
second building phase

Karlstr. 6, 80333 München