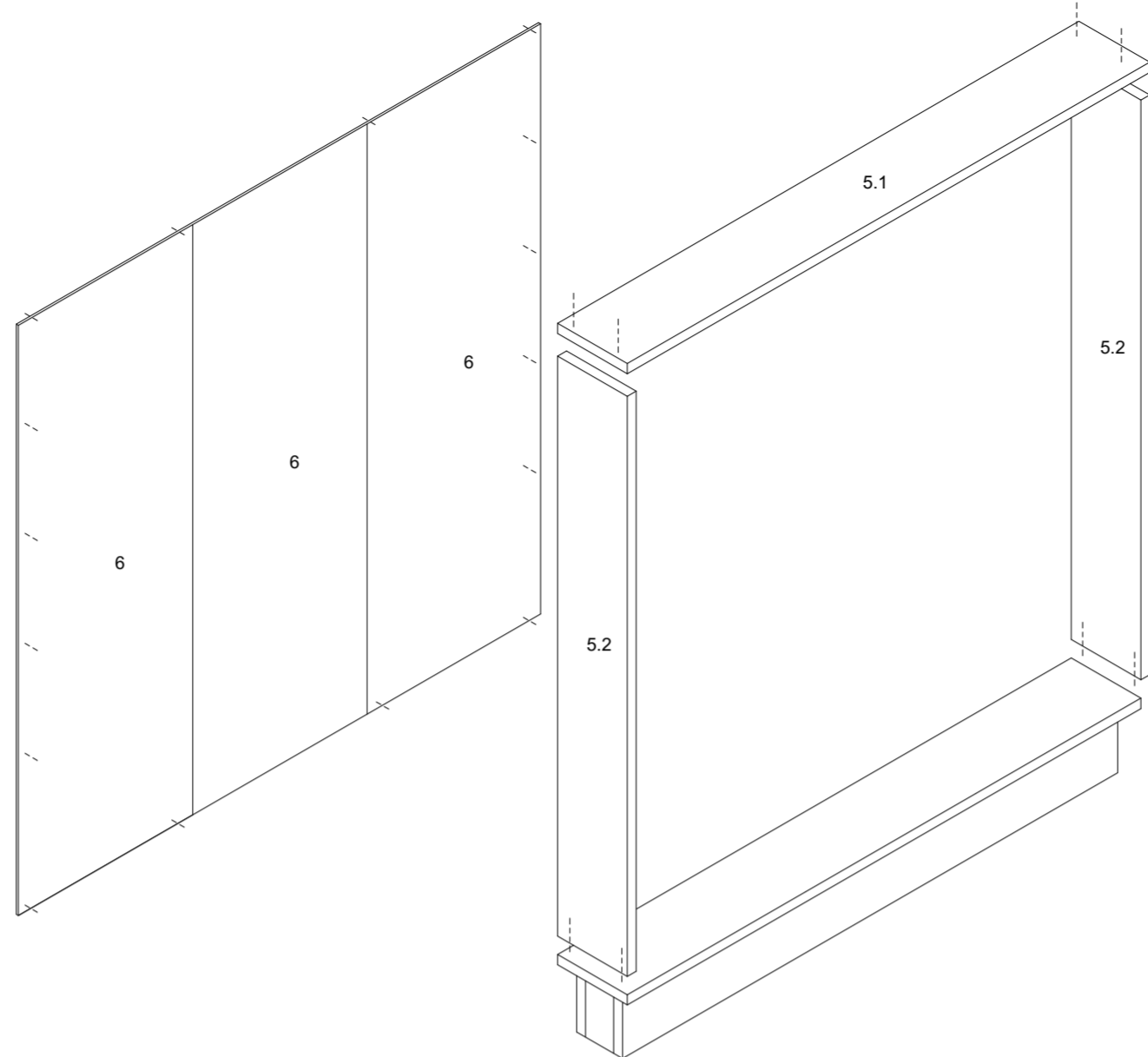
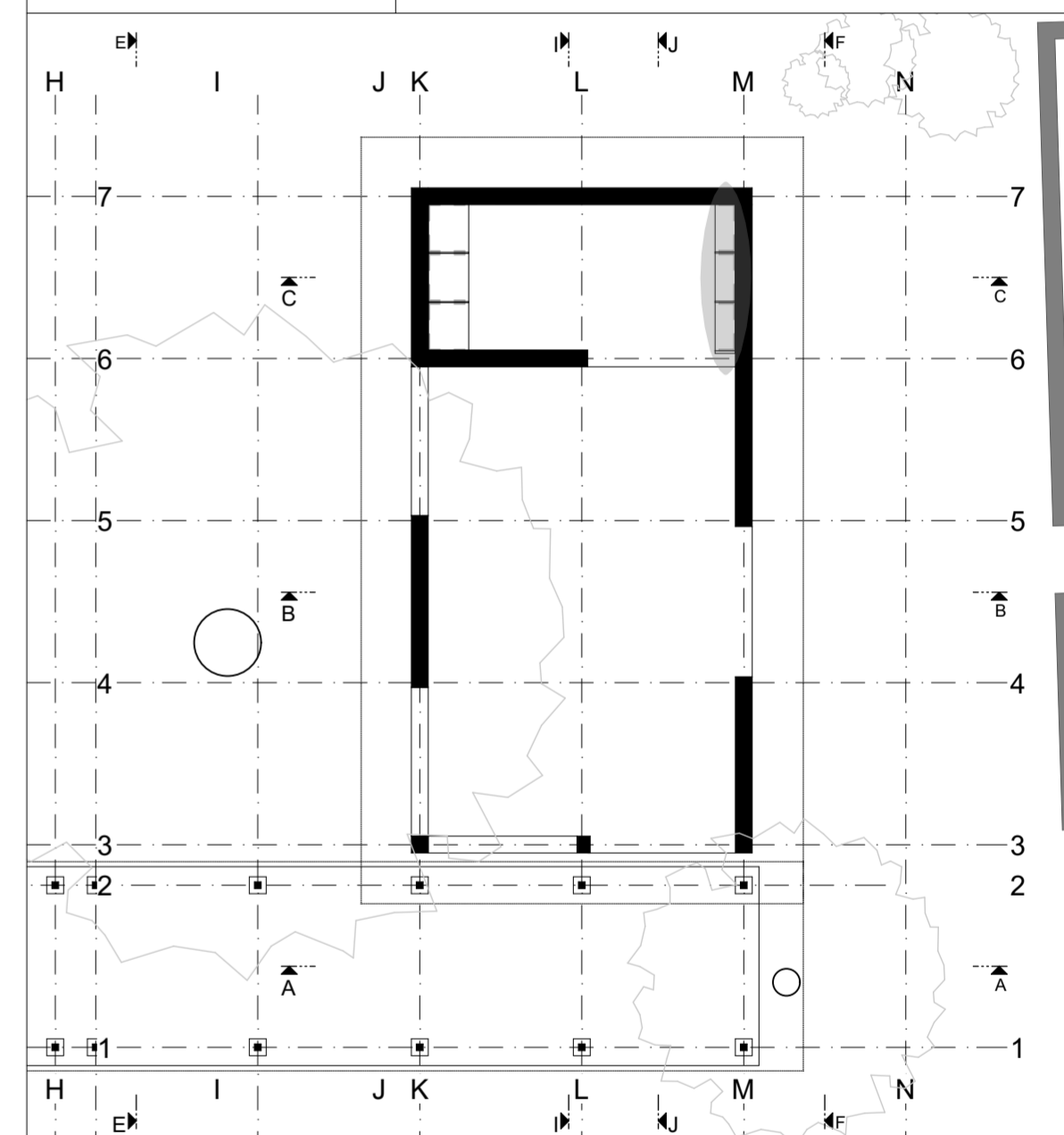


# 1.3



notes:

reference plans:



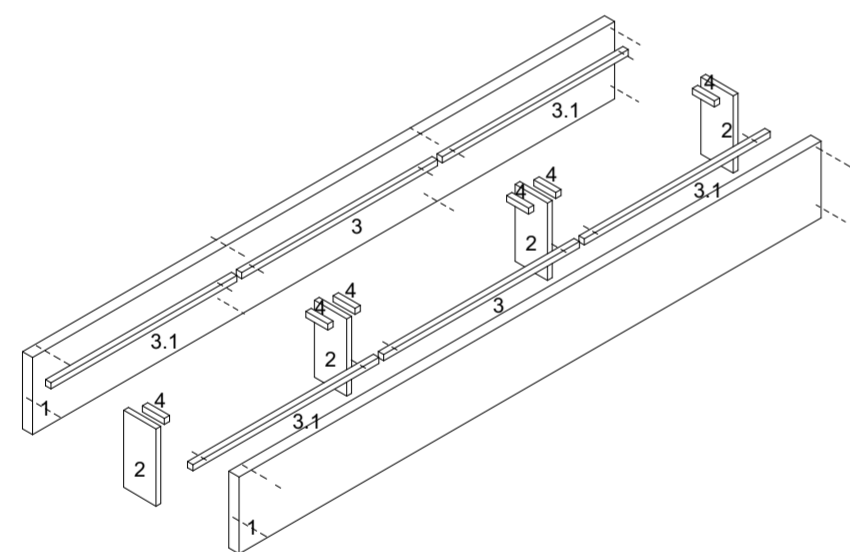
content: instructions on how to build kitchen shelf b  
page 1

plan nr.: 617\_K\_dt\_I\_shelf b\_1

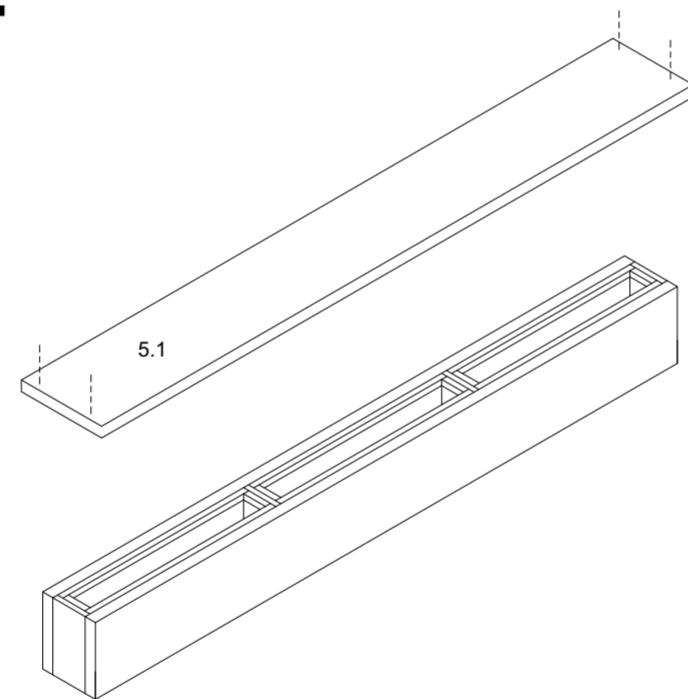
drawn by:	date:	scale: 1:20
MM, IP	23.01.2020	sheet size: A2

project:	client:
<b>Centro de Cultura y Ecologia</b> Santa Catarina, Quiané, México	<b>Santa Catarina</b> Quiané, México
author:	
Hochschule München Master Studio DesignBuild Quiané II Karlstr. 6, 80333 München	

# 1.1



# 1.2



6: 3x 75x220x0,9

- 1: 2x 25x220x3,4
- 2: 4x 25x12x3,4
- 3: 2x 2x2x66
- 3.1: 4x 2x2x66
- 4: 6x 2x2x8

5.1: 1x 30x225x3,4

5.1: 1x 30x225x3,4

5.2: 2x 30x212,5x3,4

new construction of a cultural centre  
second building phase