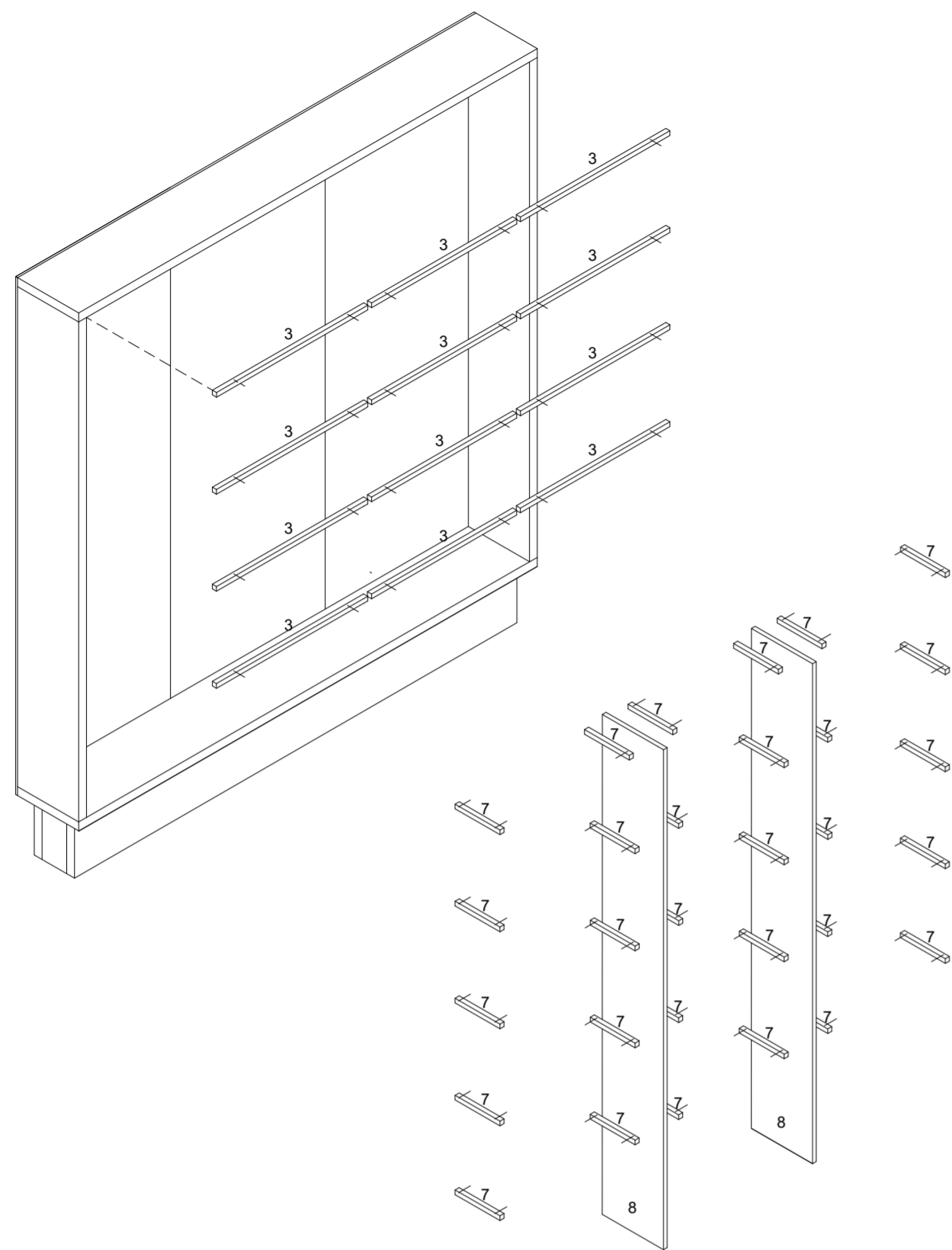
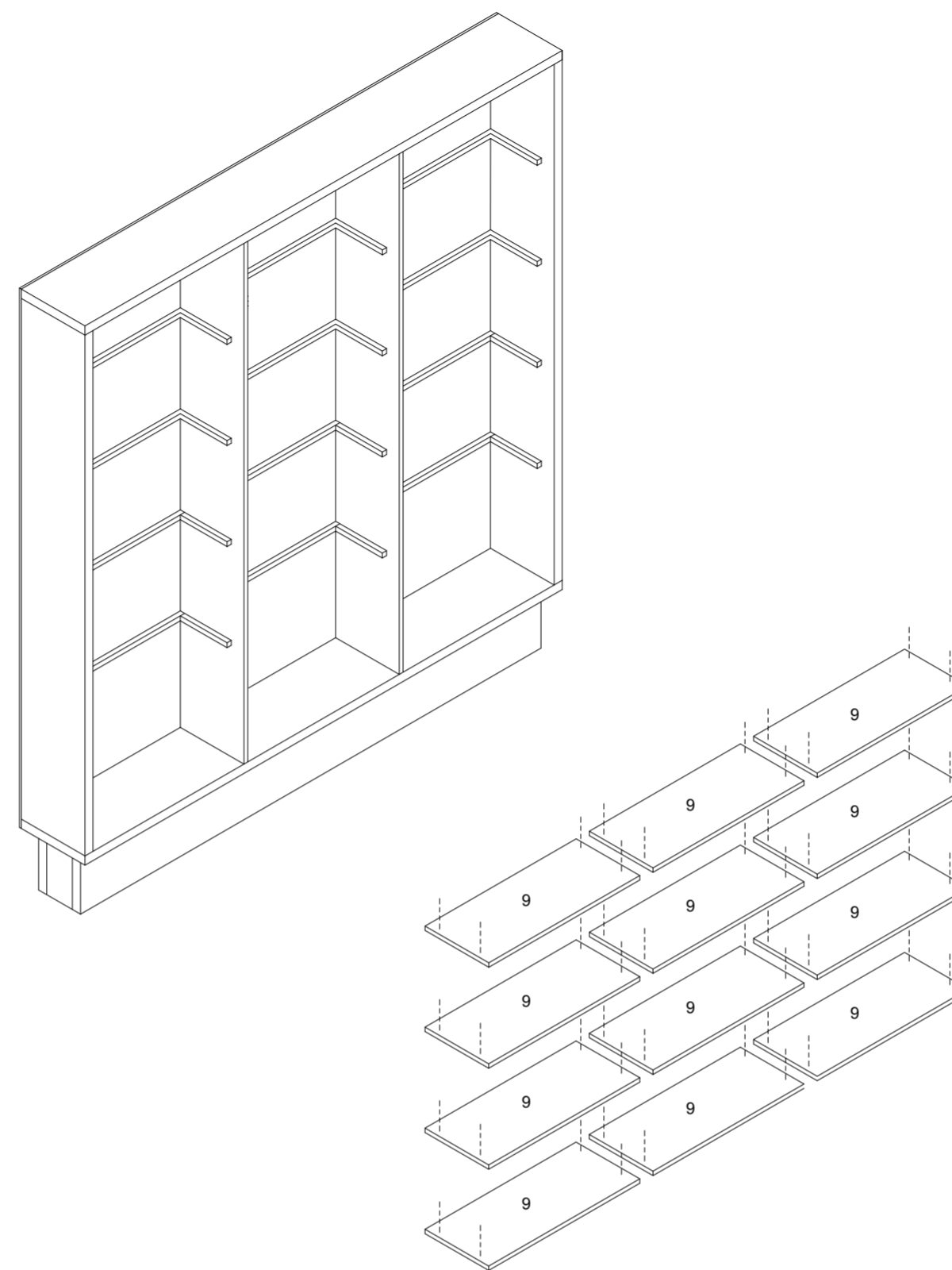


1.4

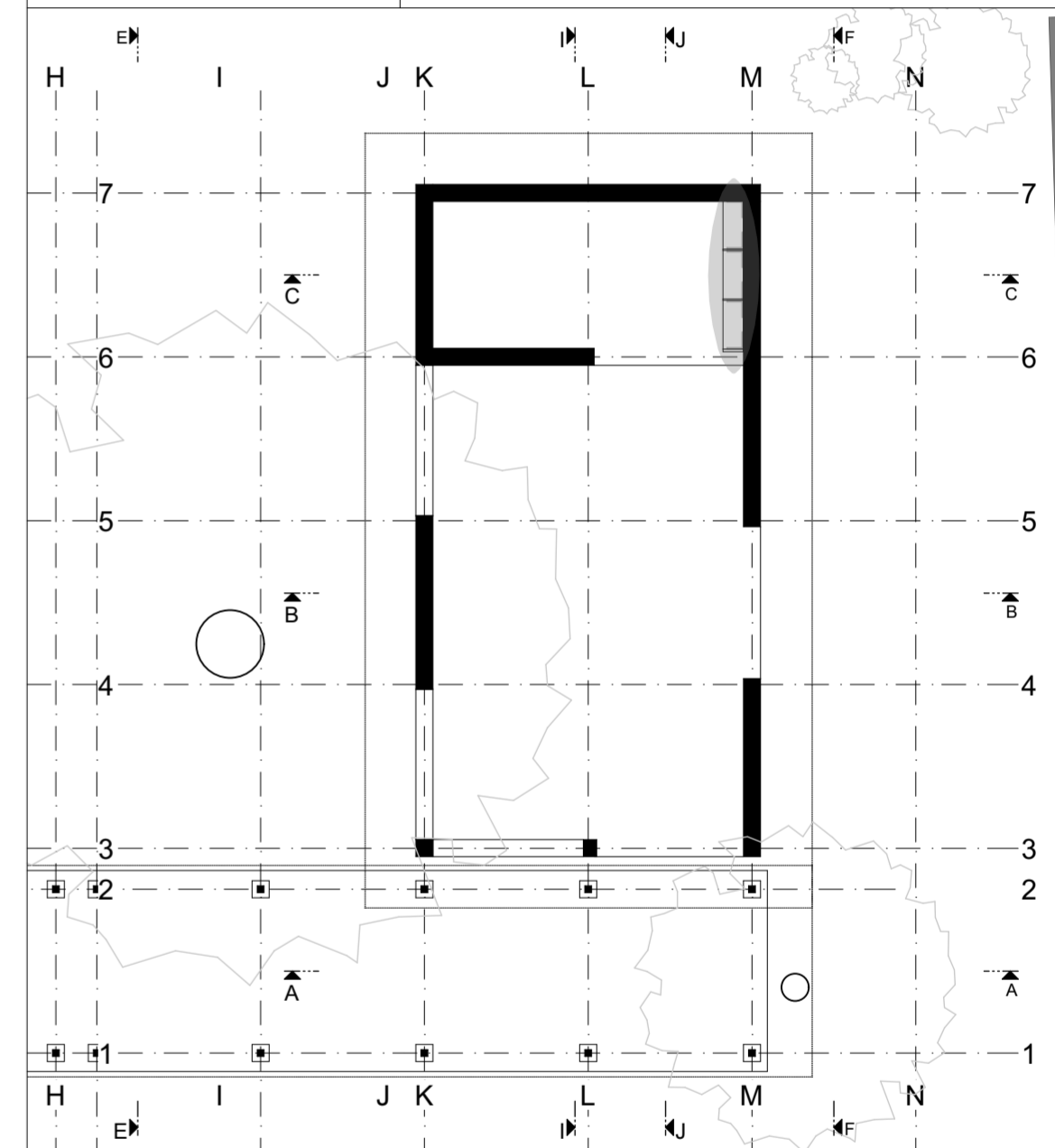


1.5



notes:

reference plans:






content: instructions on how to build kitchen shelf b
page 2

plan nr.: 618_K_dt_I_shelf b_2

drawn by: MM, IP	date: 23.01.2020	scale: 1:20
		sheet size: A2

project: Centro de Cultura y Ecologia Santa Catarina, Quiané, México	client: Santa Catarina Quiané, México
author: Hochschule München Master Studio DesignBuild Quiané II Karlst. 6, 80333 München	

new construction of a cultural centre
second building phase

3: 12x  2x2x71
7: 30x  2x2x22
9: 2x  30x212,5x1,8

9: 12x  30x71x1,8