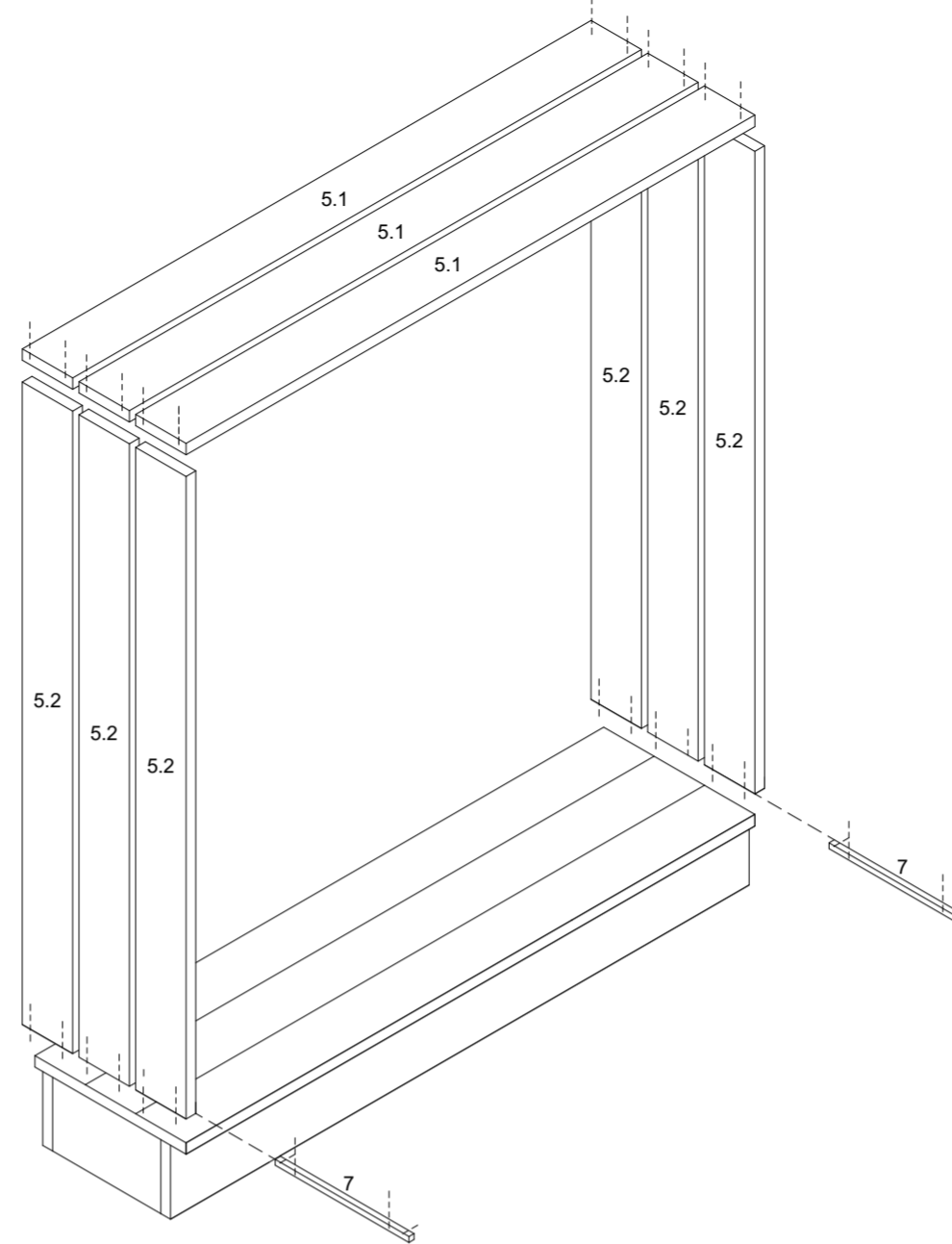
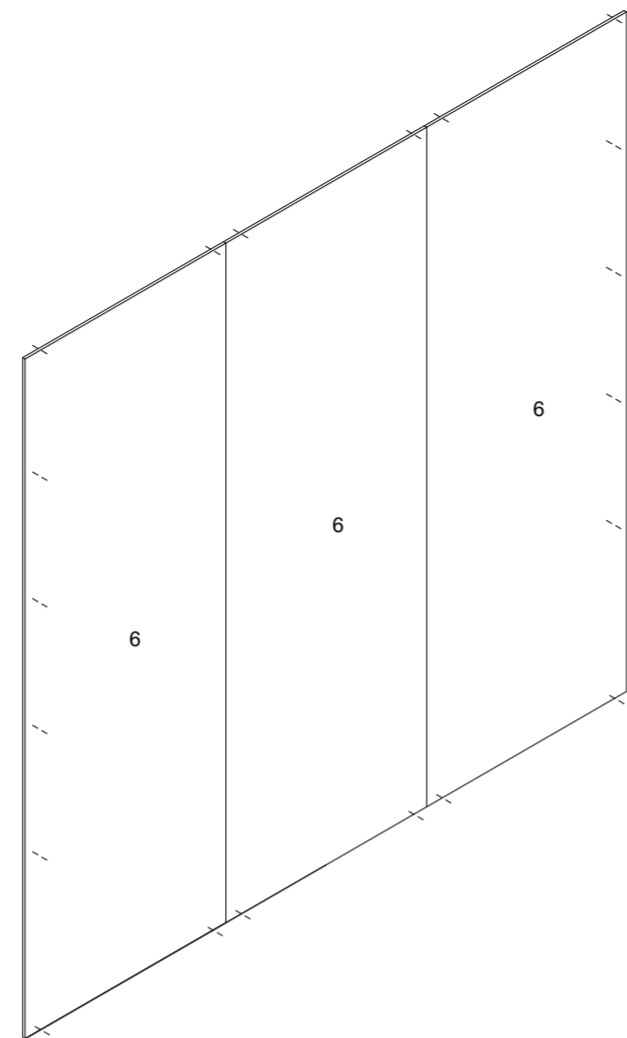
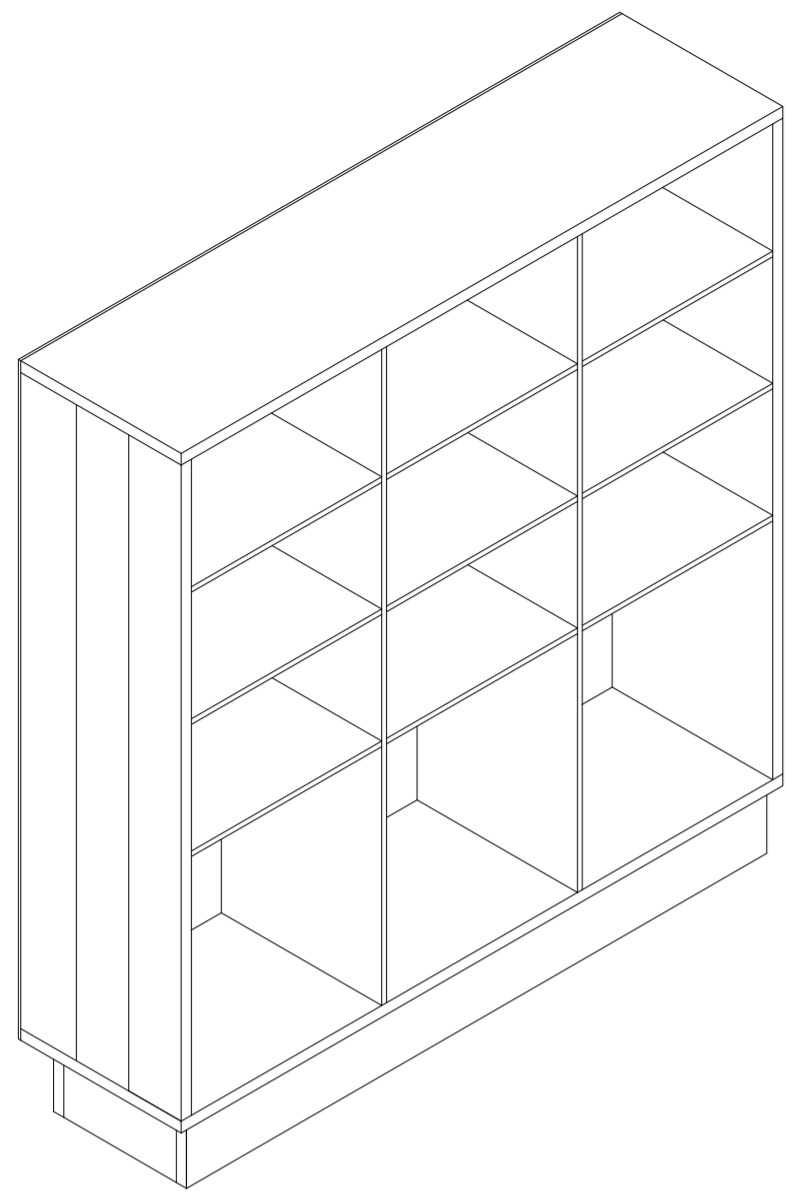
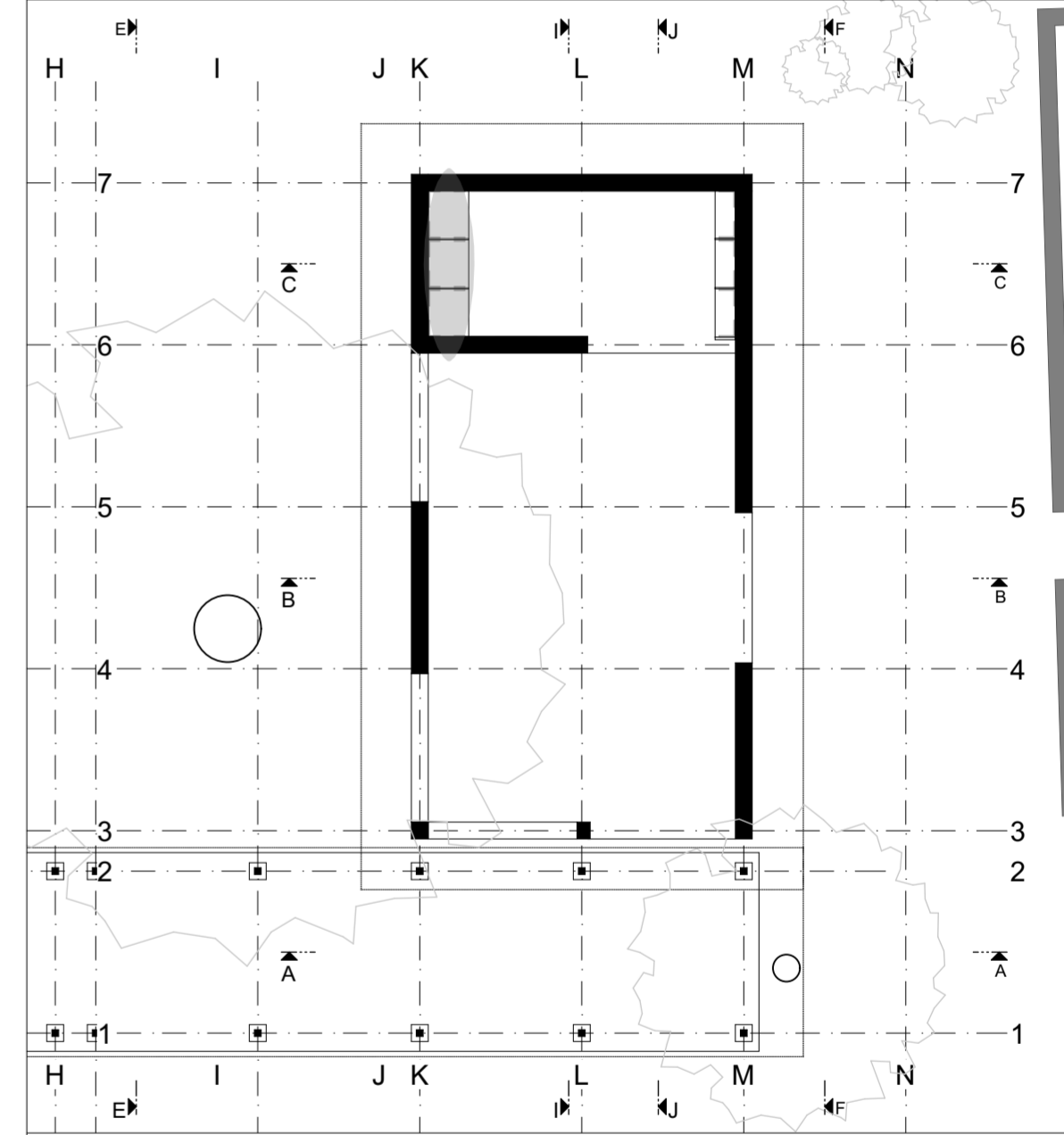


# 1.3

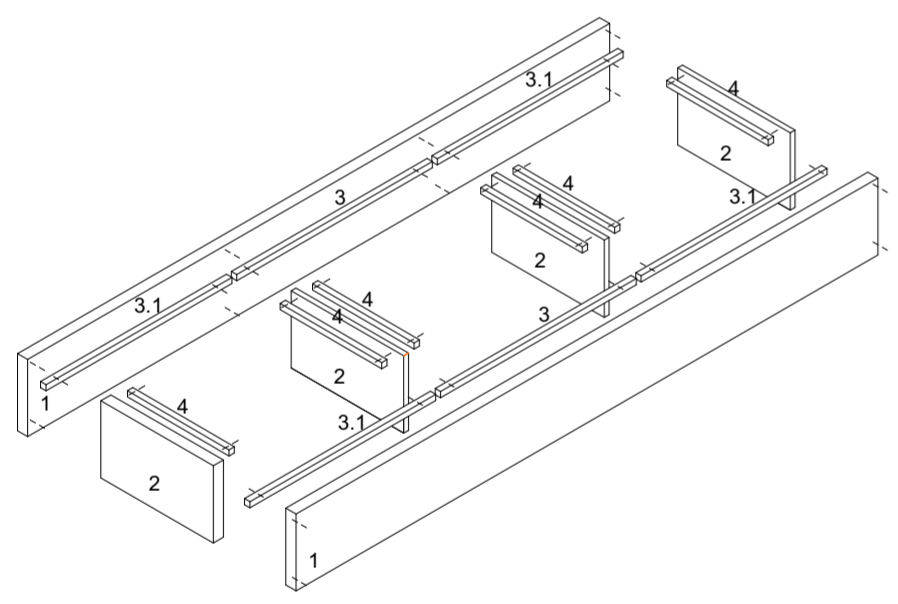


notes:

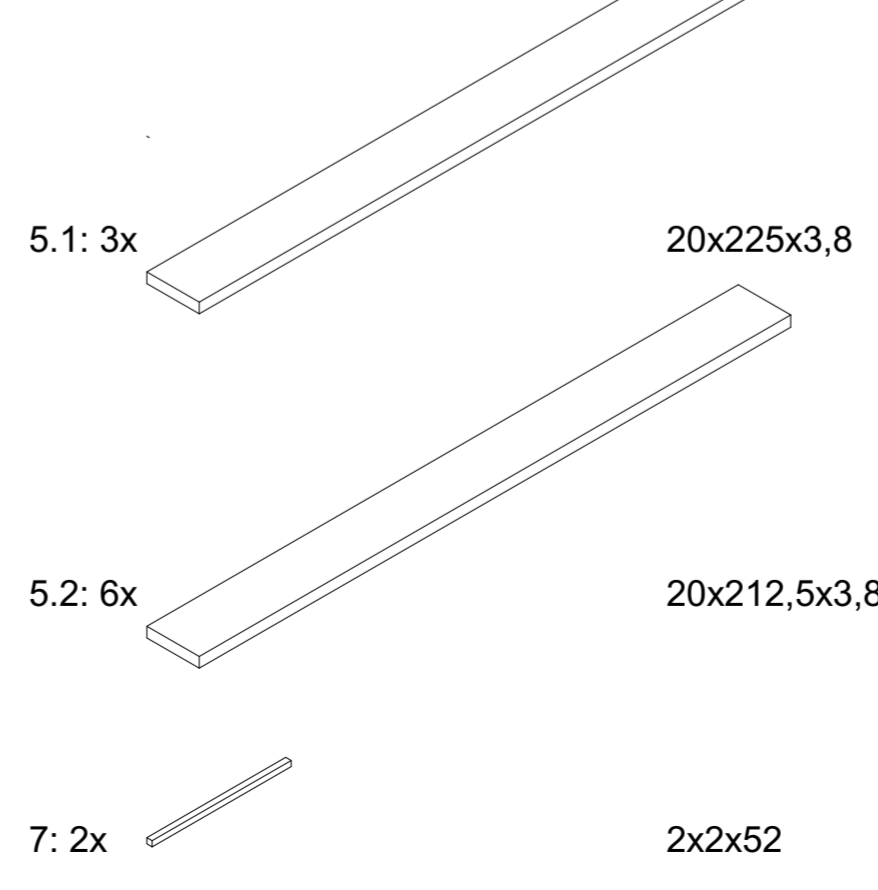
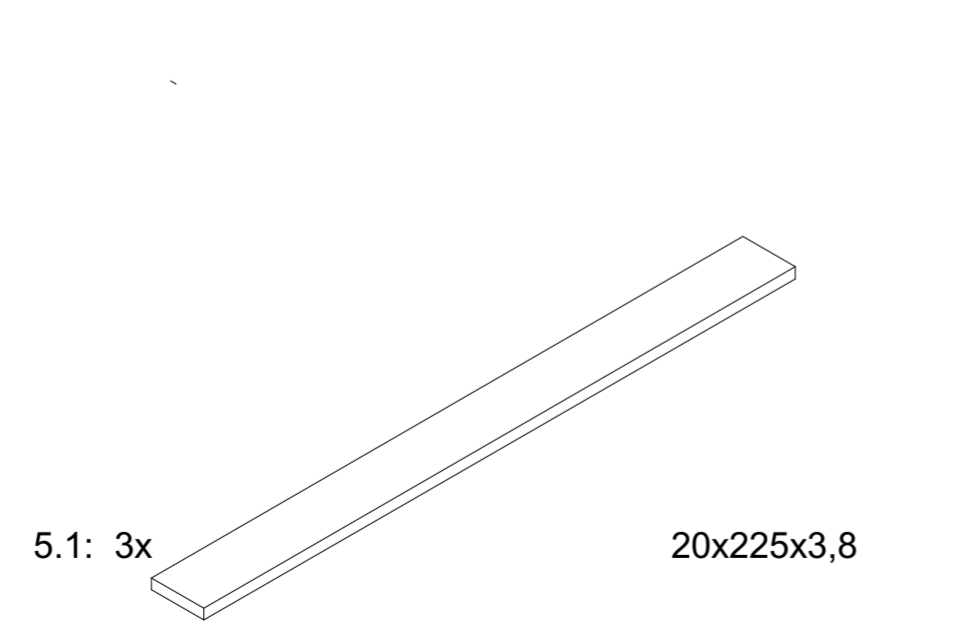
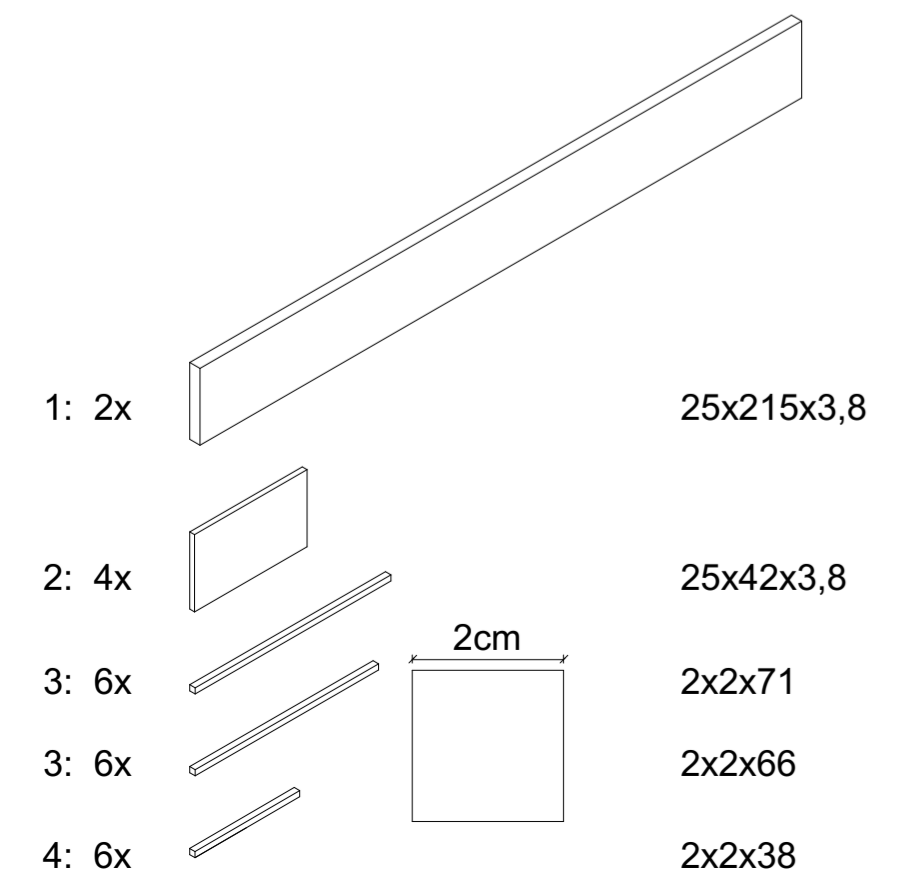
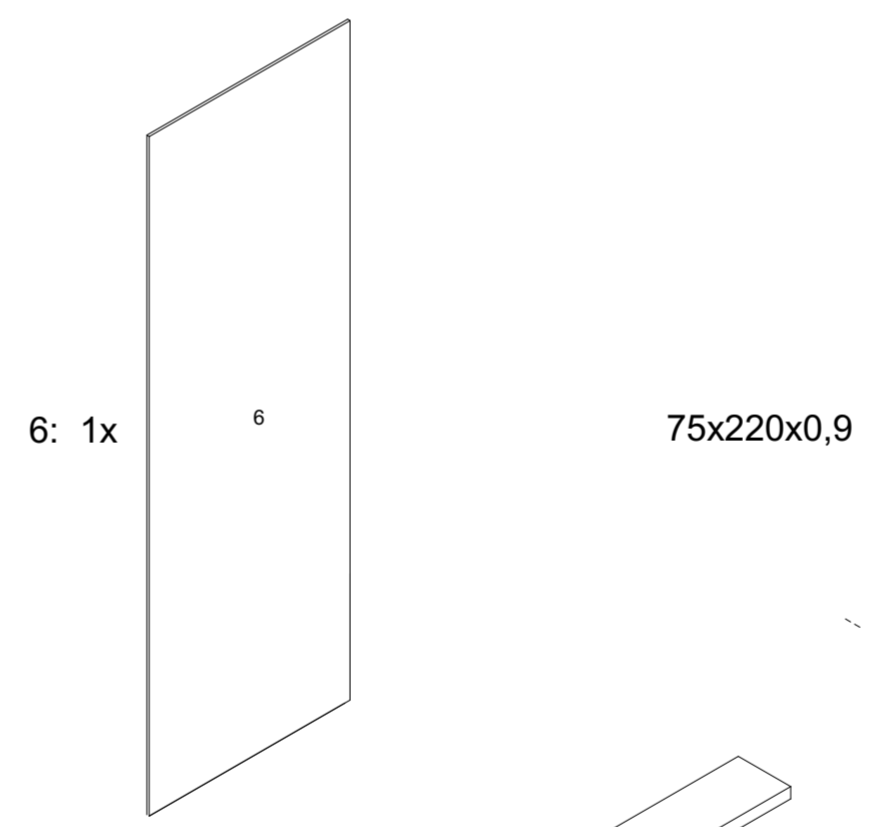
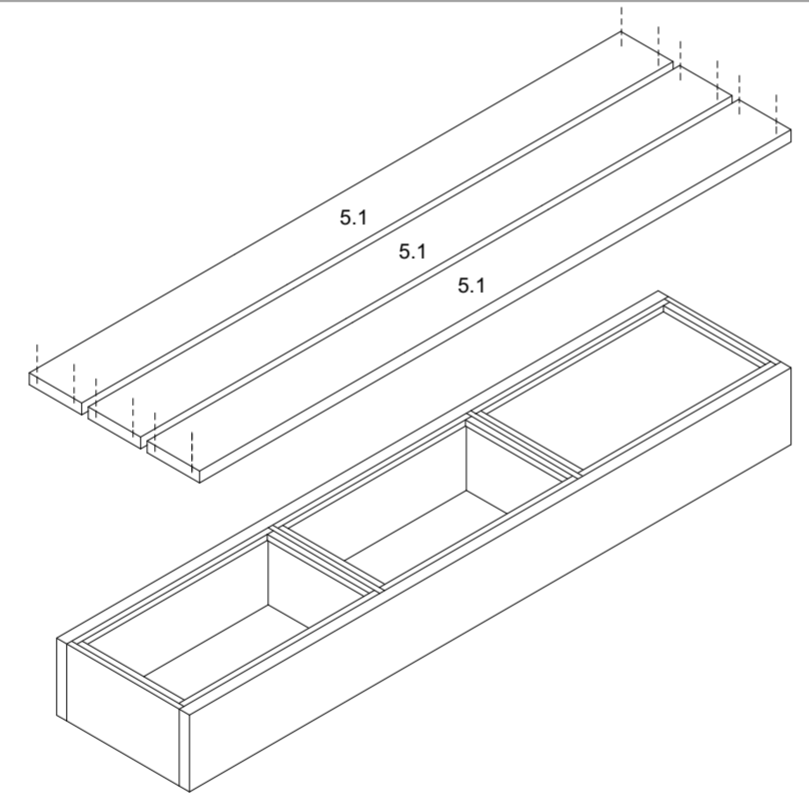
reference plans:



# 1.1



# 1.2



content: instructions on how to build kitchen shelf a page 1

plan nr.: 619\_K\_dt\_I\_shelf a\_1

drawn by:	date:	scale: 1:20
MM, IP	23.01.2020	sheet size: A2

project:	client:
<b>Centro de Cultura y Ecologia</b> Santa Catarina, Quiané, México	<b>Santa Catarina</b> Quiané, México
author:	
Hochschule München Master Studio DesignBuild Quiané II Karlst. 6, 80333 München	

new construction of a cultural centre  
second building phase